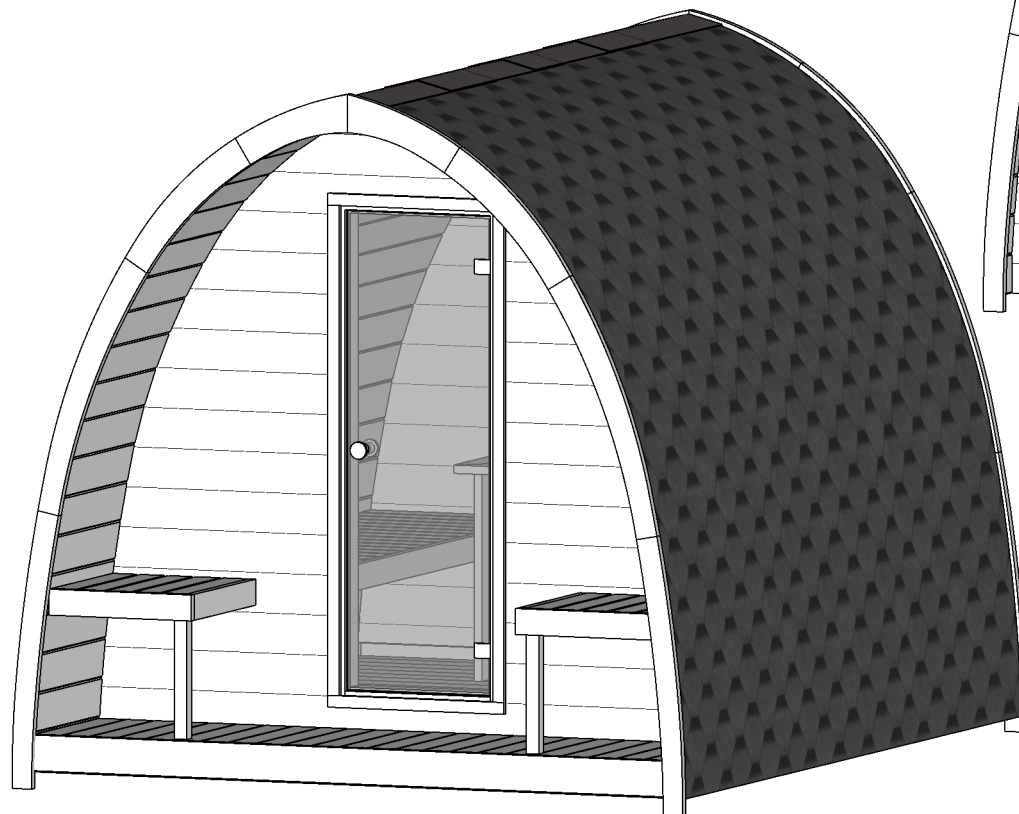


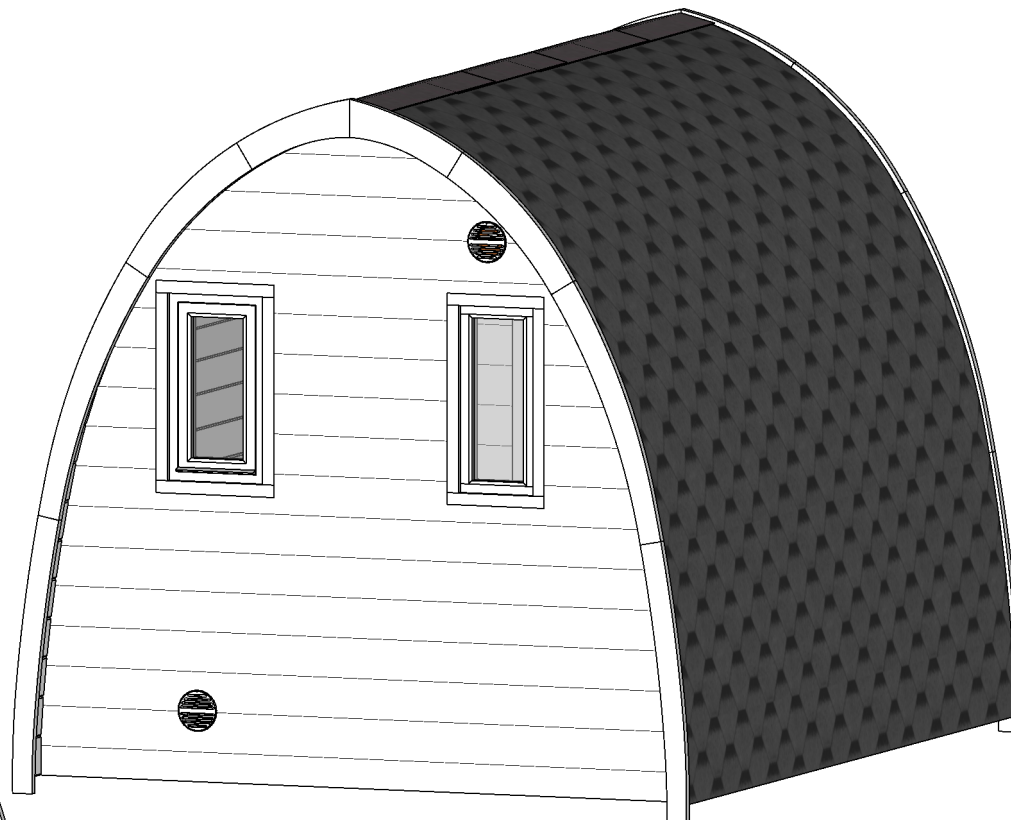
POD Sauna 300

NB! Please read whole installation manual before start.

All given measurements are in millimeters.



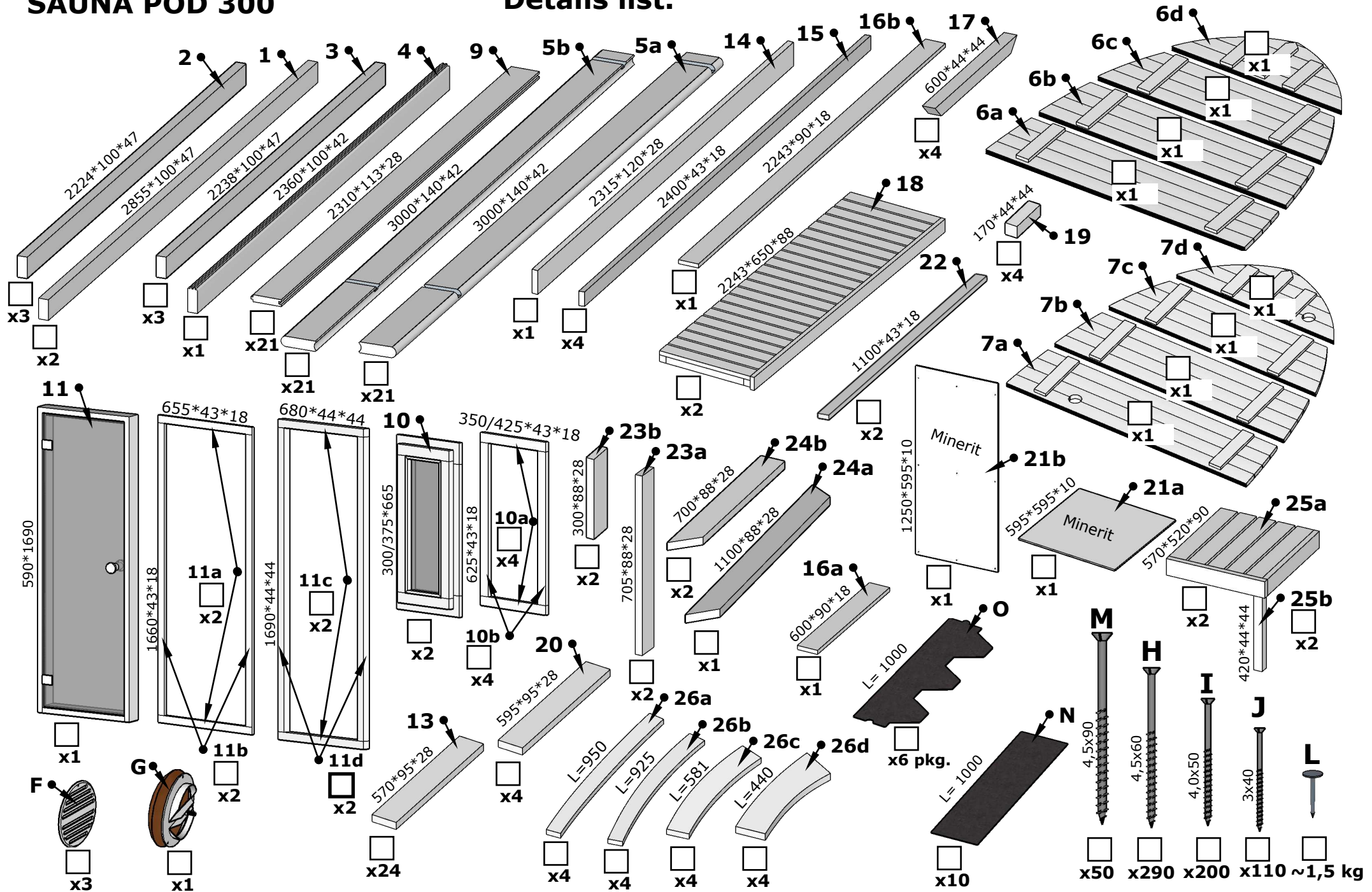
(POD 003)



(POD 003)

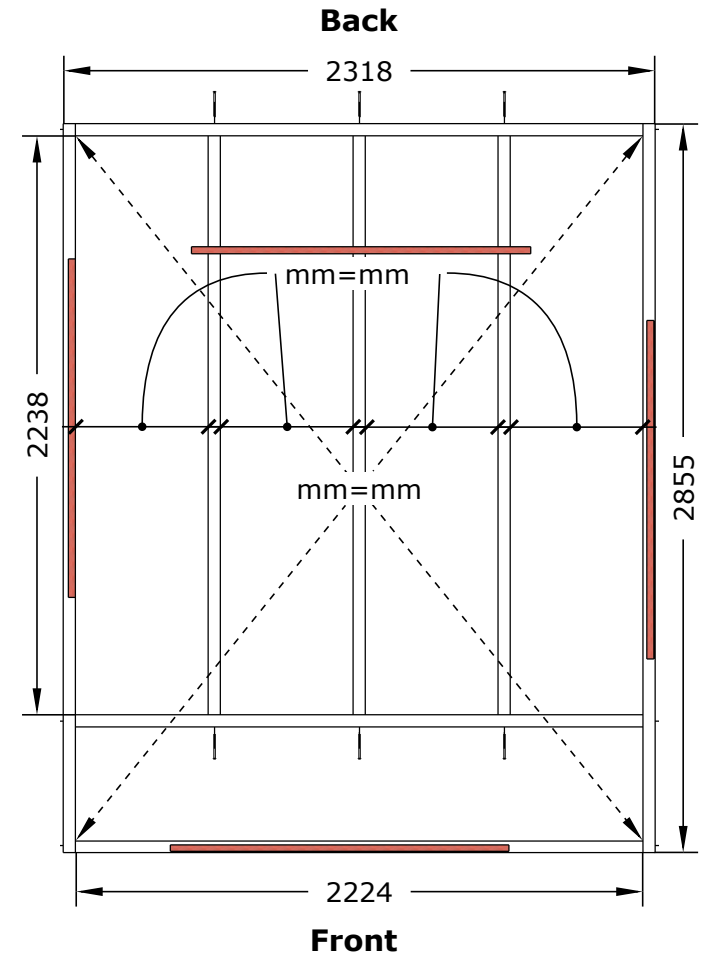
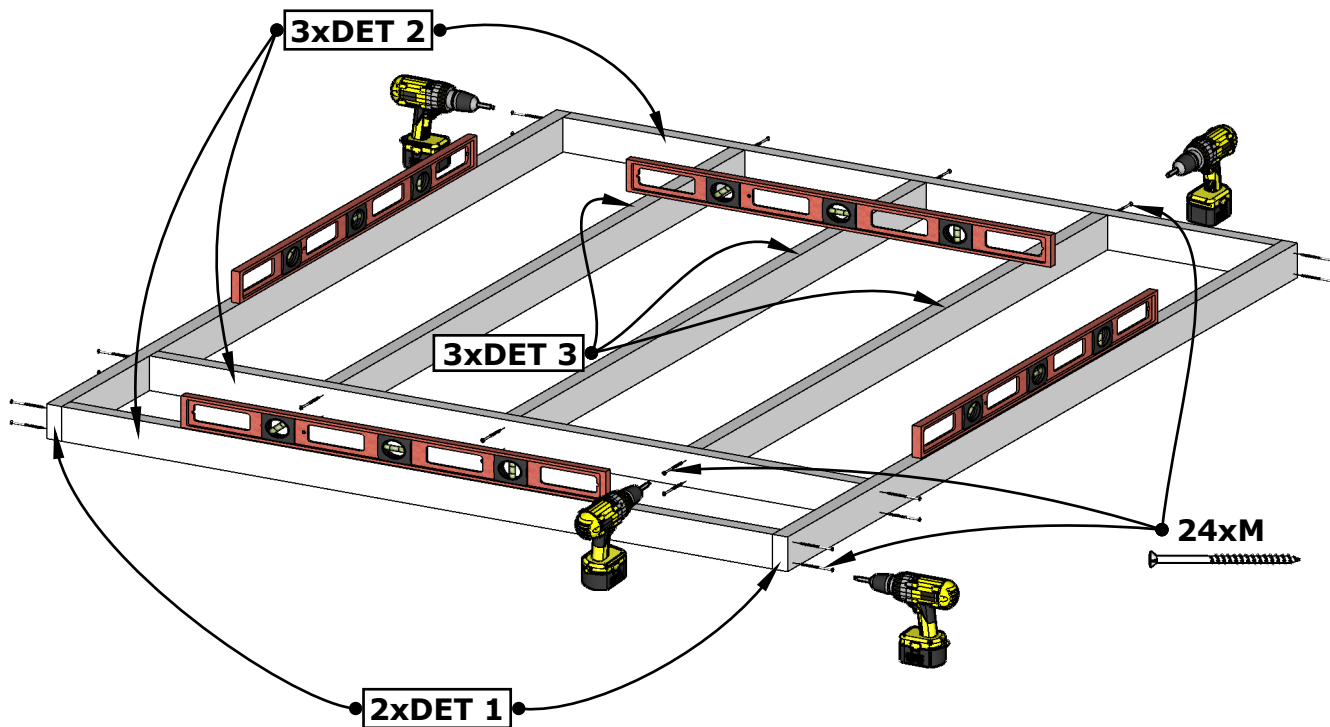
SAUNA POD 300

Details list.



(POD 003)

POD Sauna 300



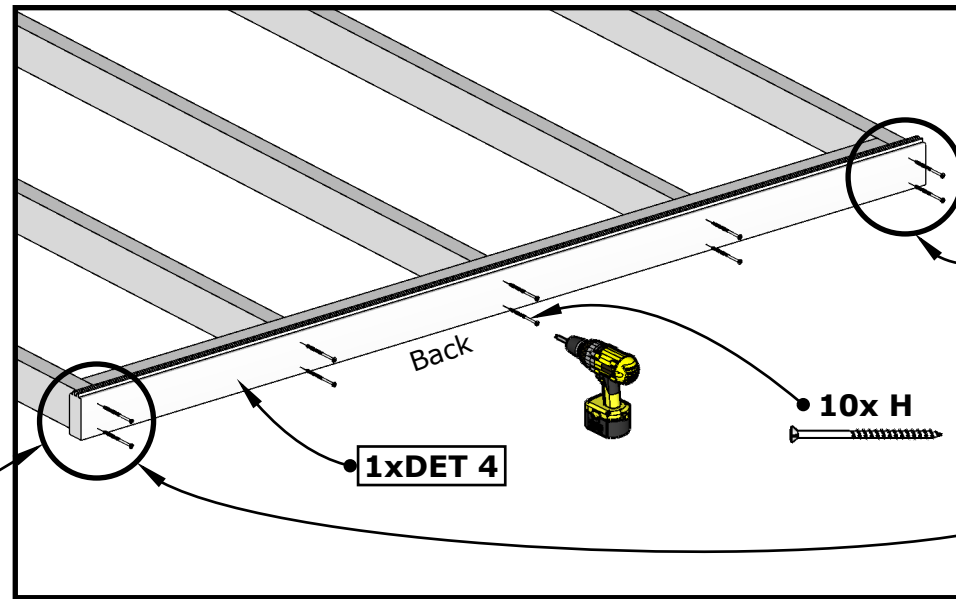
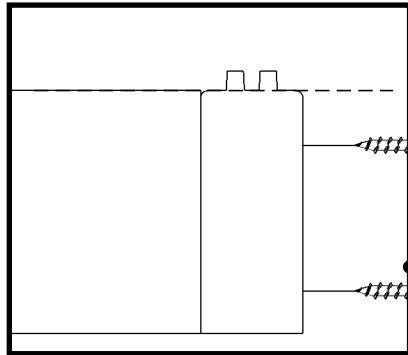
1. I

(POD 003)

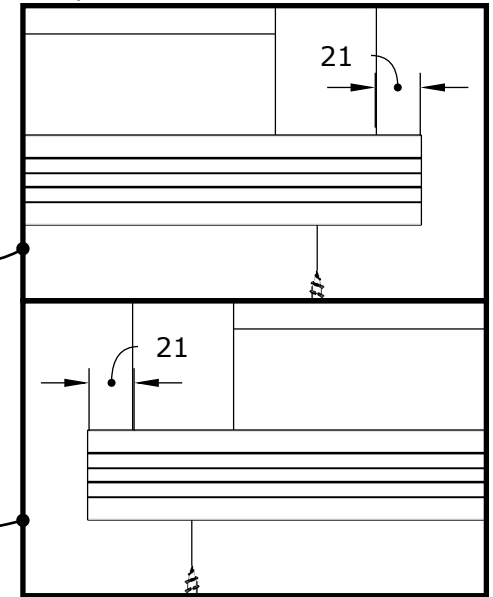
POD Sauna 300



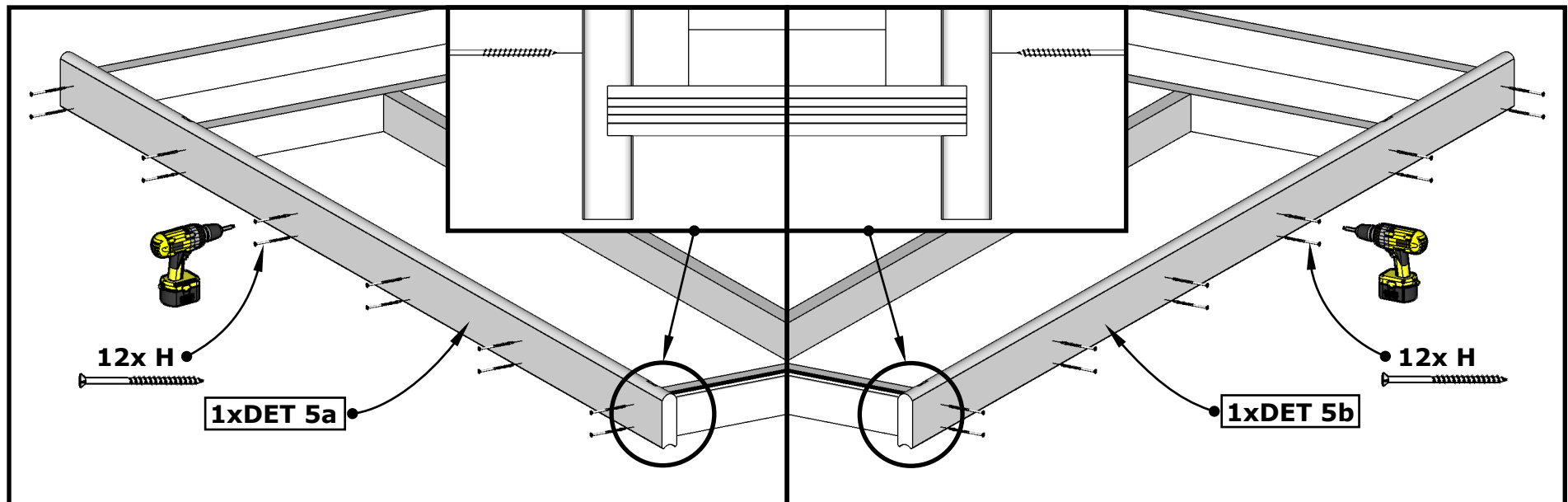
Side view



Top view



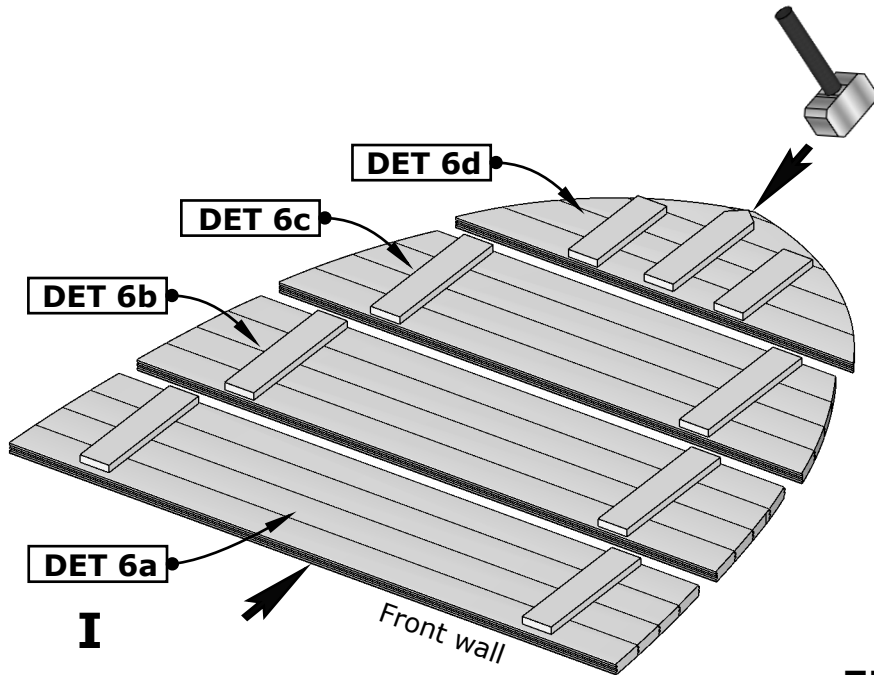
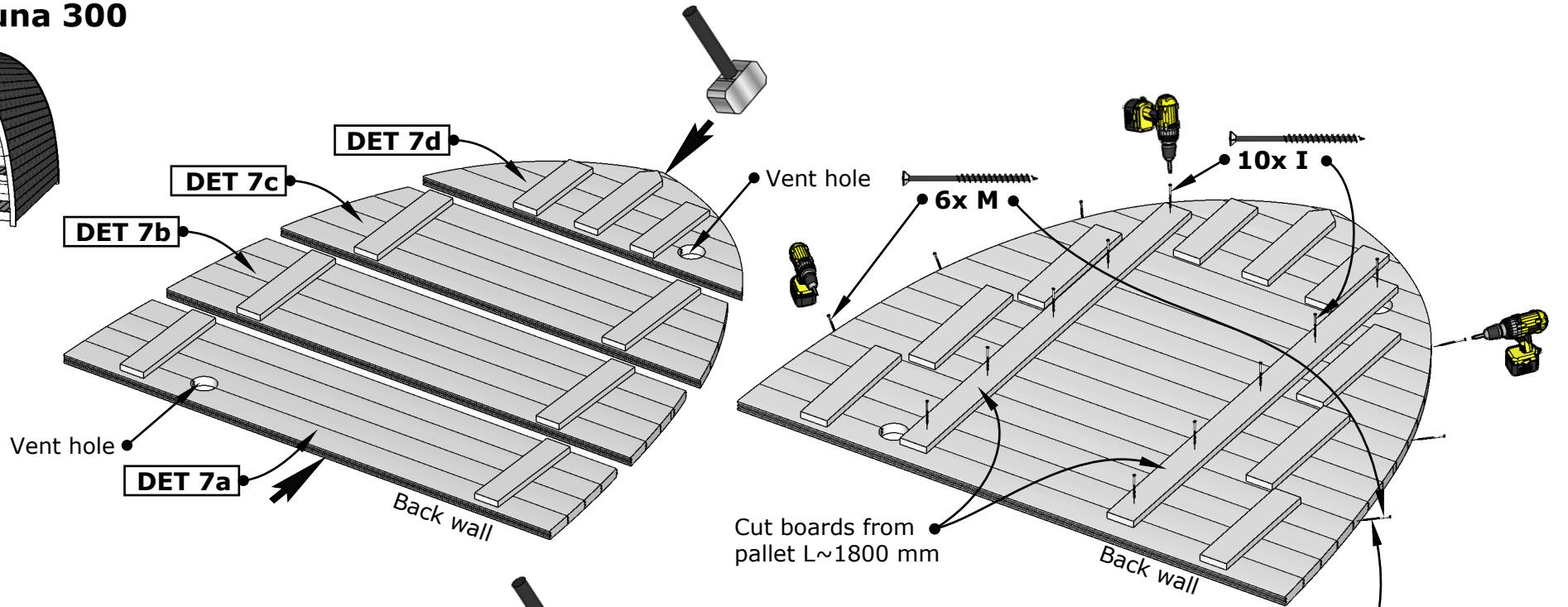
I



II

2.

POD Sauna 300



3.

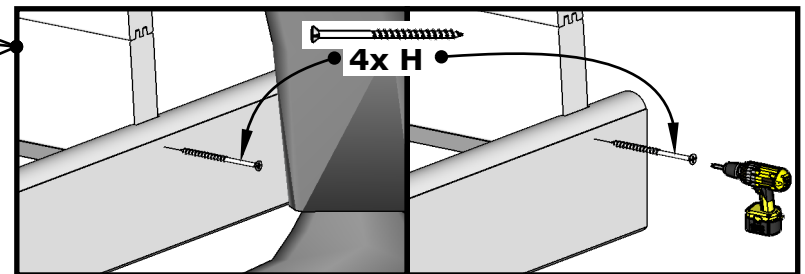
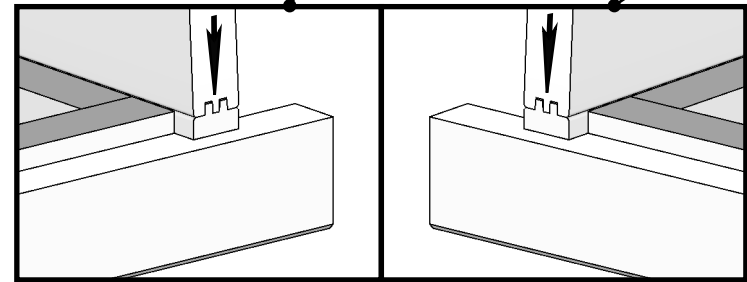
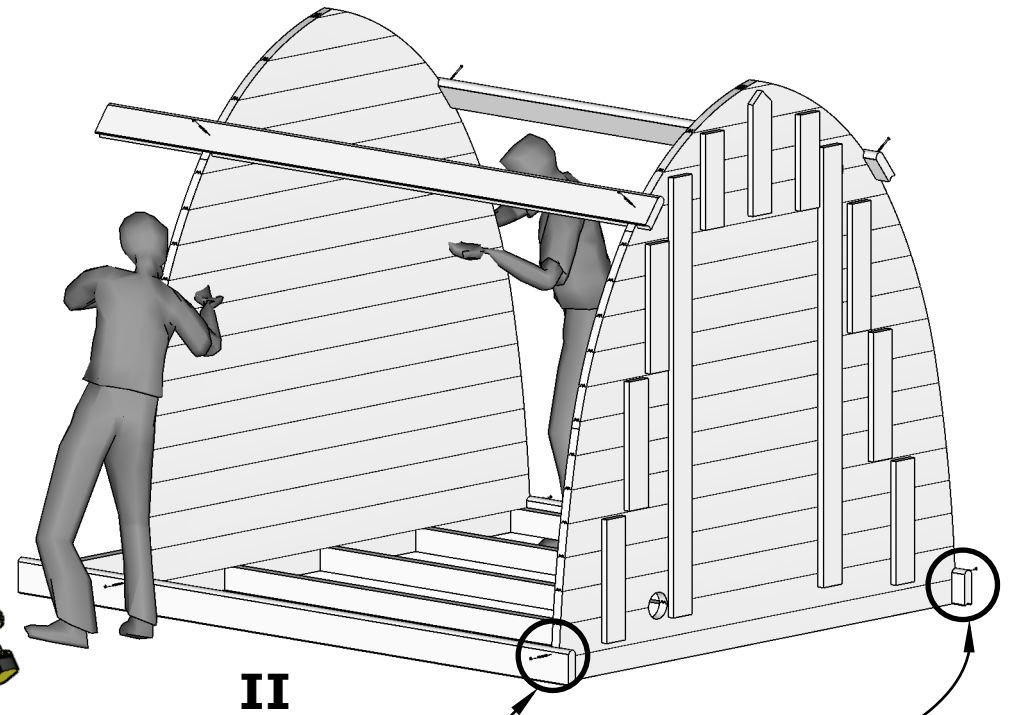
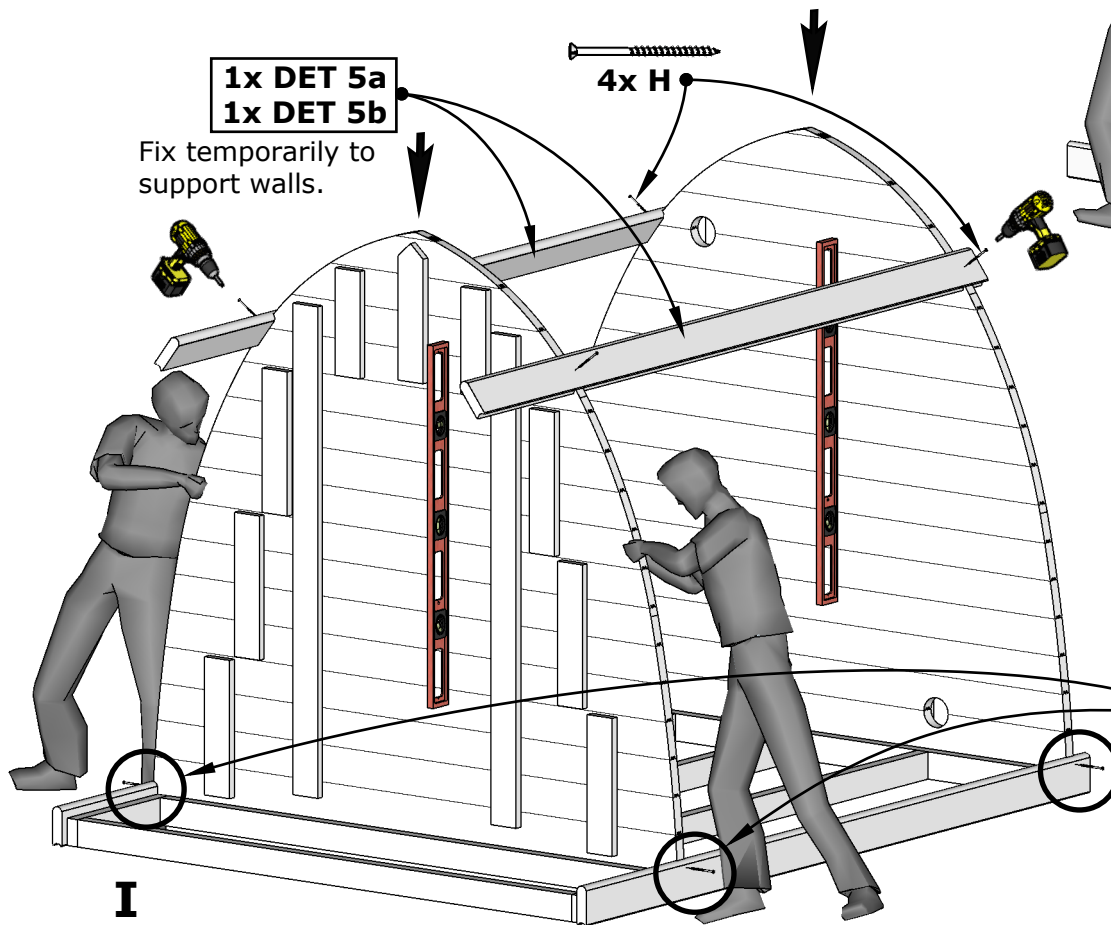
II

(POD 003)

POD Sauna 300



Use waterlevel!

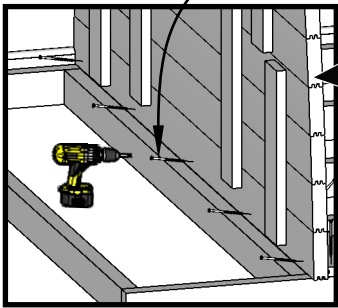


4.

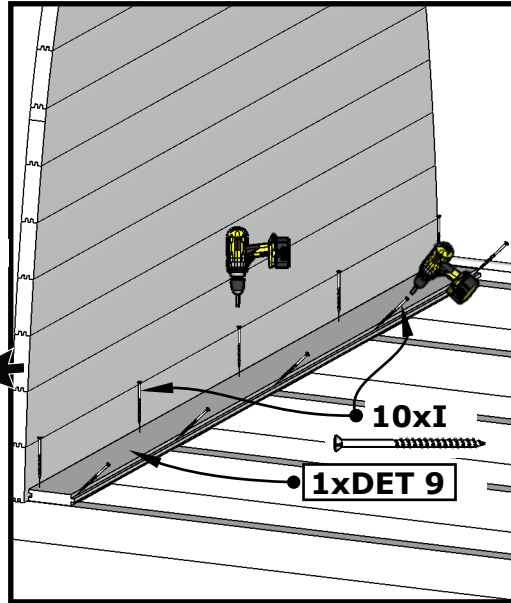
POD Sauna 300



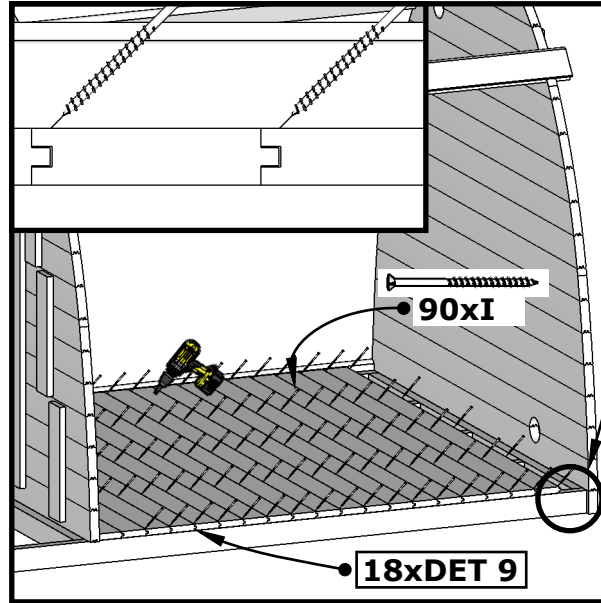
Drill holes Ø4 before screw



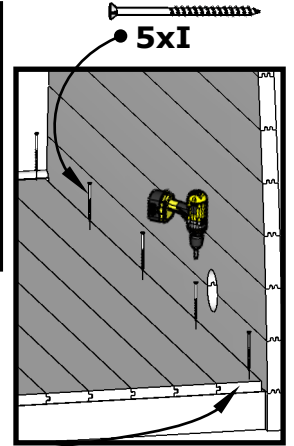
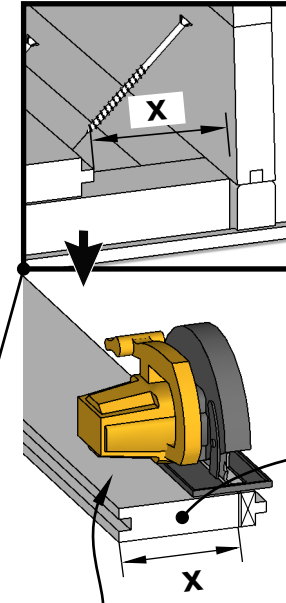
• 5xH



I



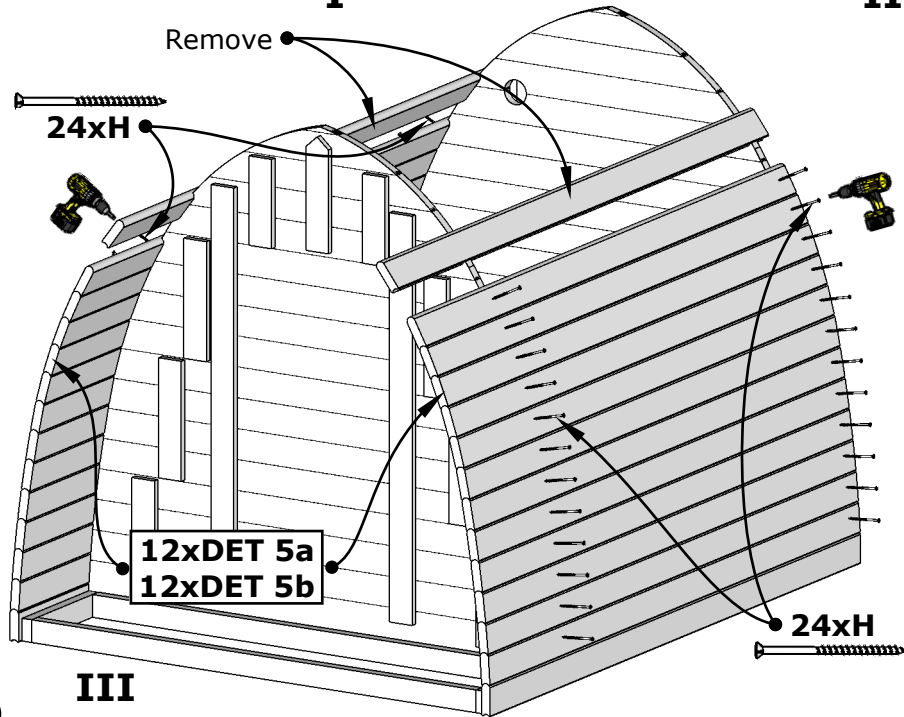
II



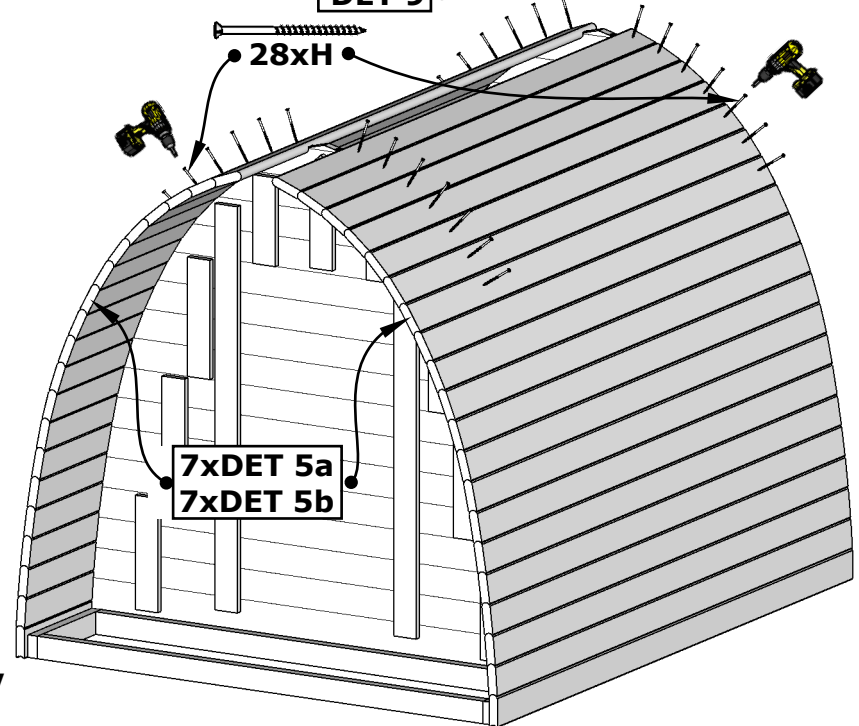
• 5xI

• DET 9

X

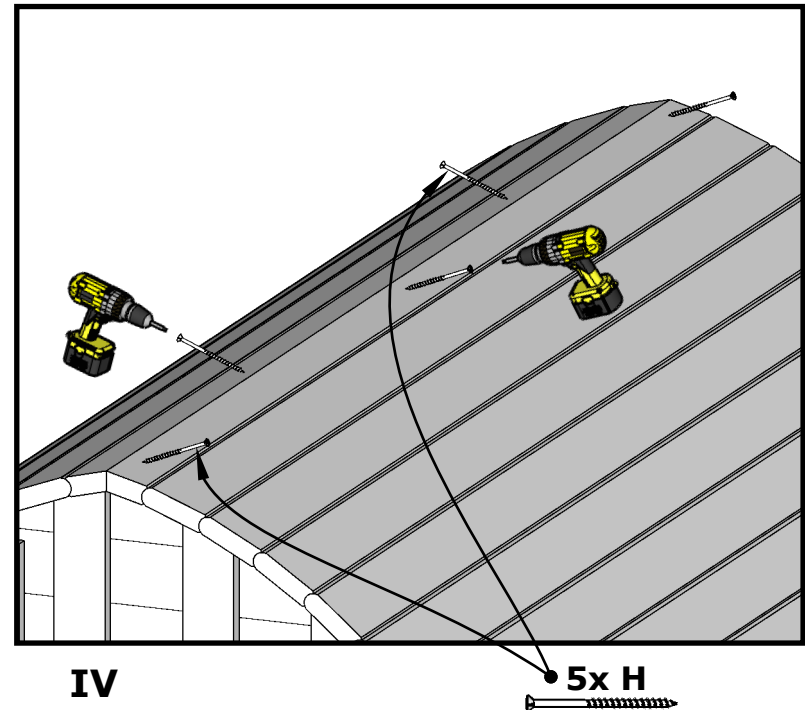
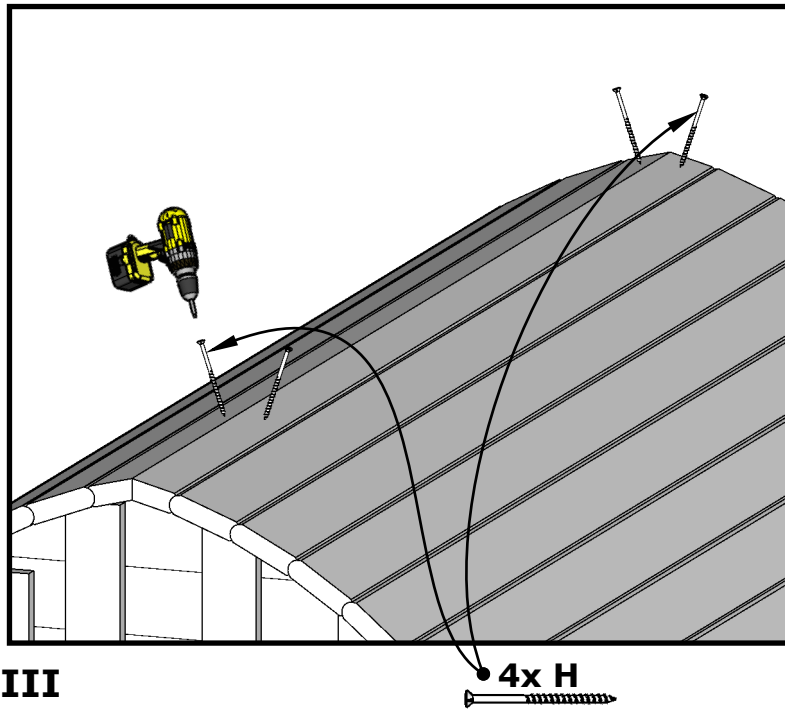
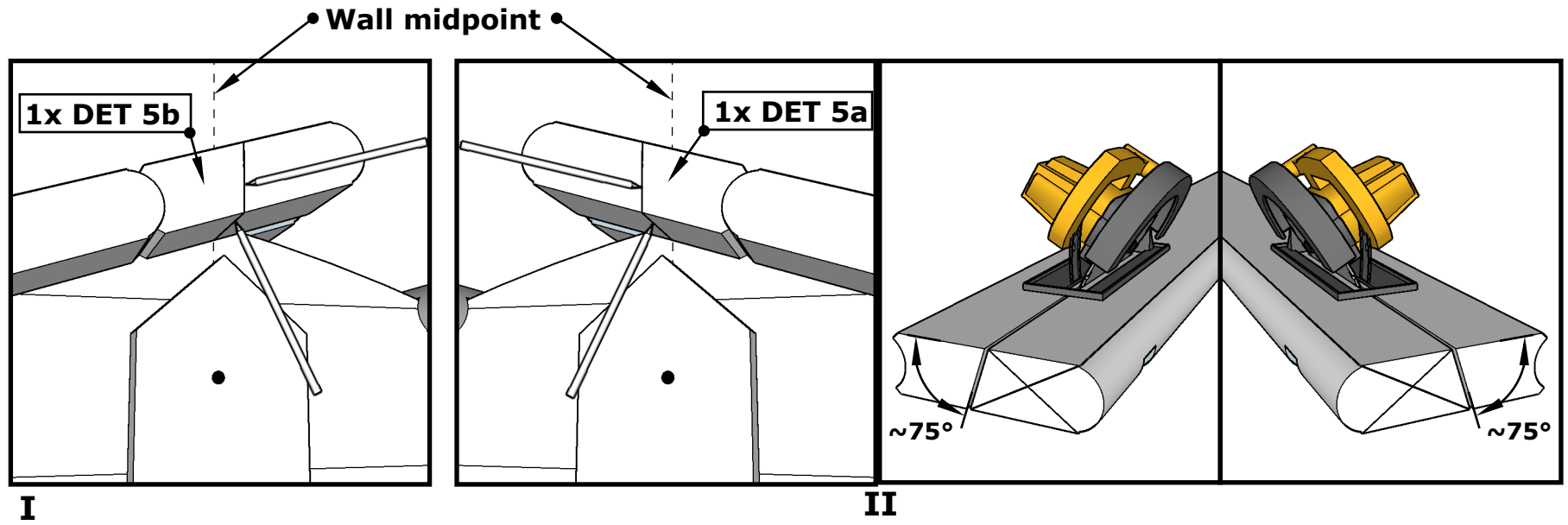


5. III



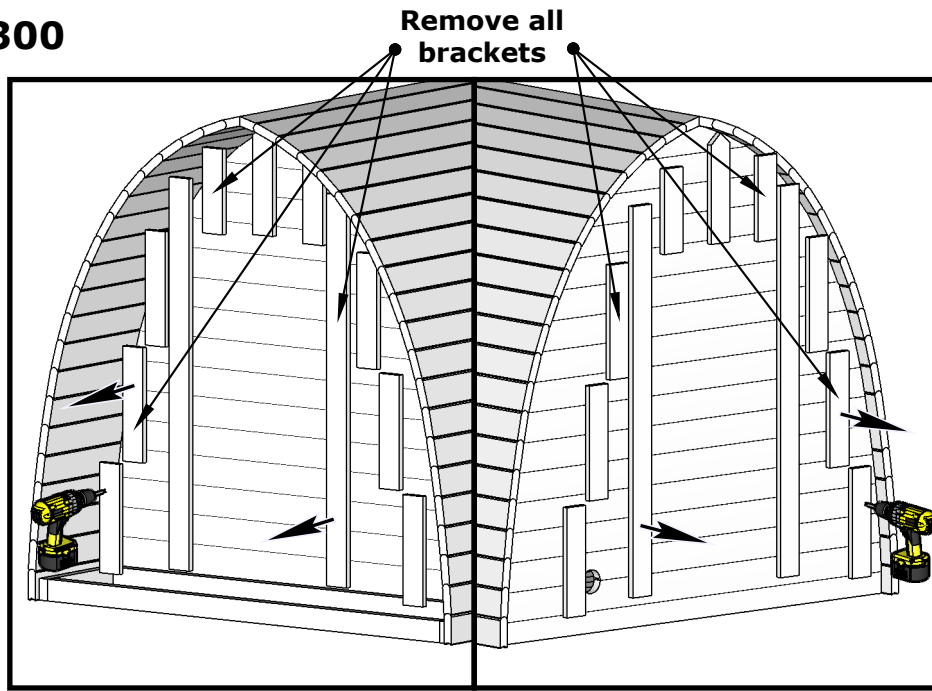
IV

POD Sauna 300

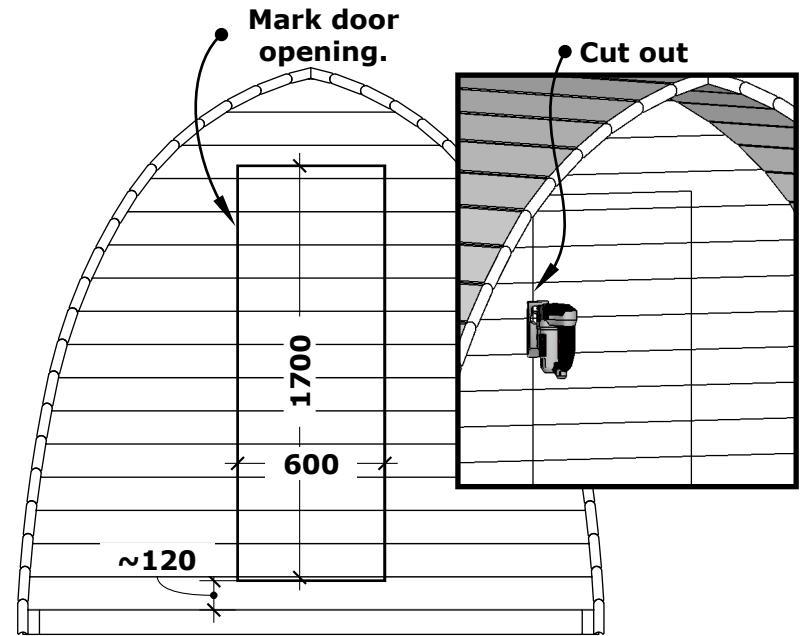


6.

POD Sauna 300



I

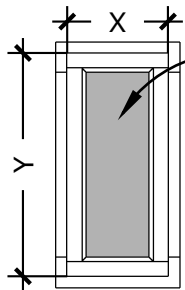


II

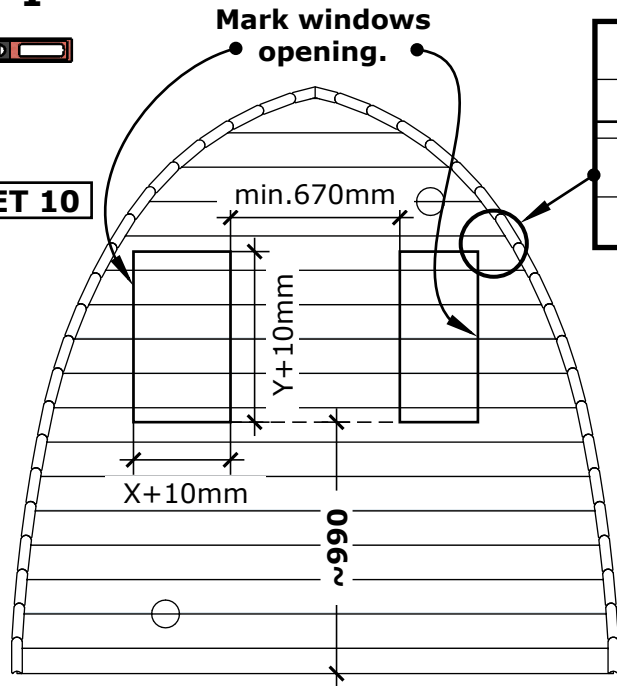
If Your sauna equipped with wooden door, please check wooden door installation manual on extra pages!



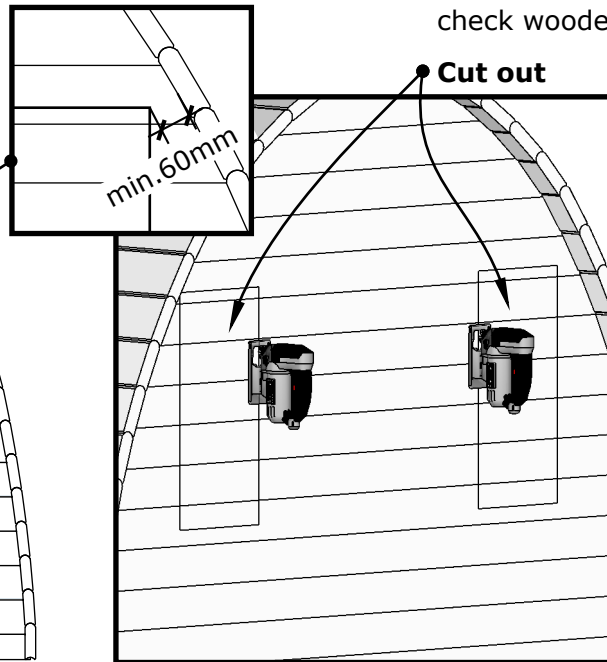
Use waterlevel!



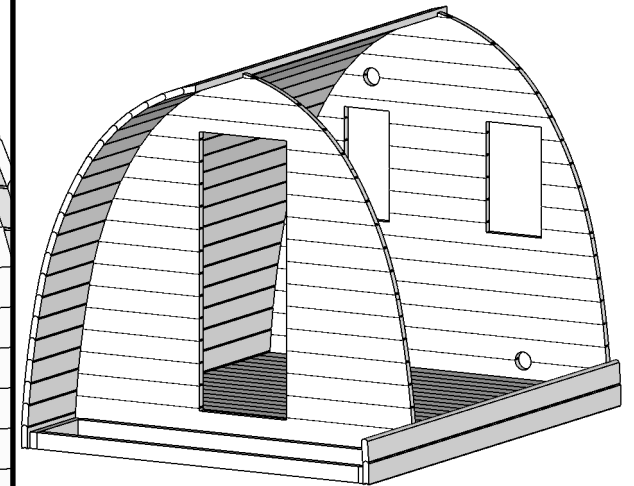
DET 10



III



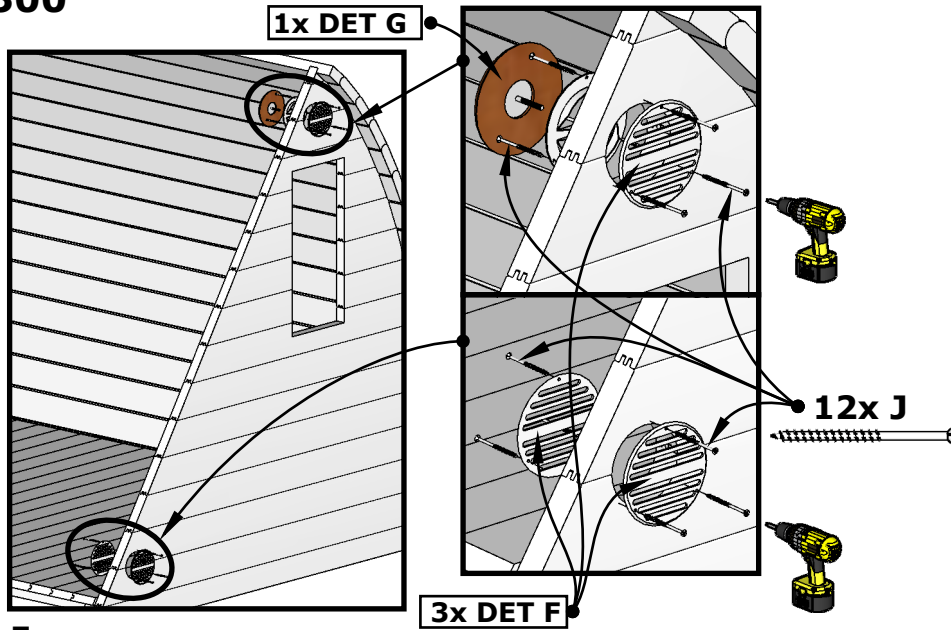
IV



7.

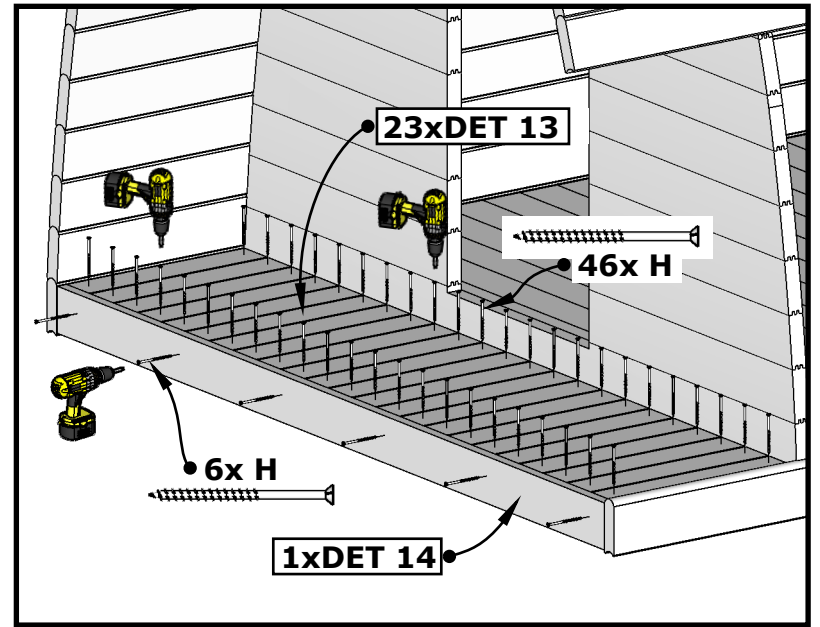
(POD 003)

POD Sauna 300

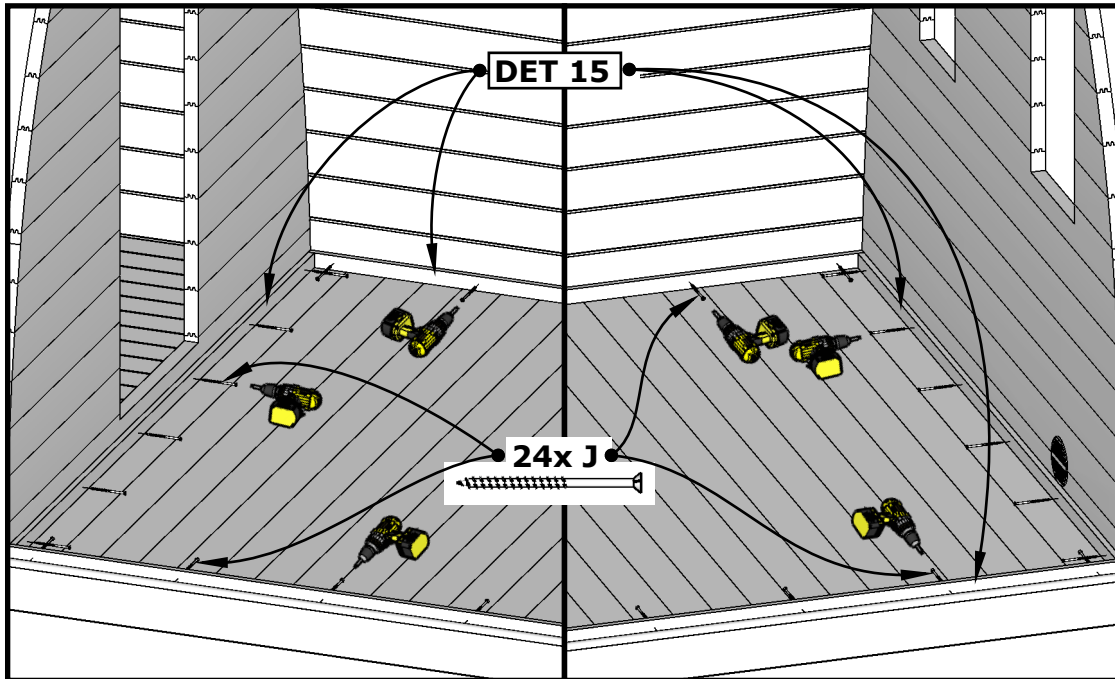


I

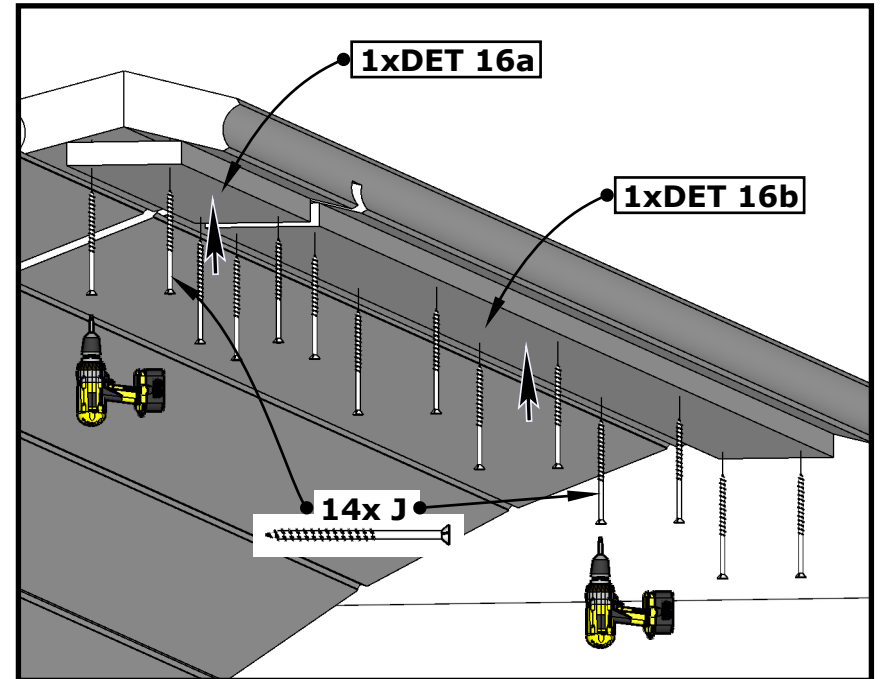
Cut floor salatses from DET 15



II

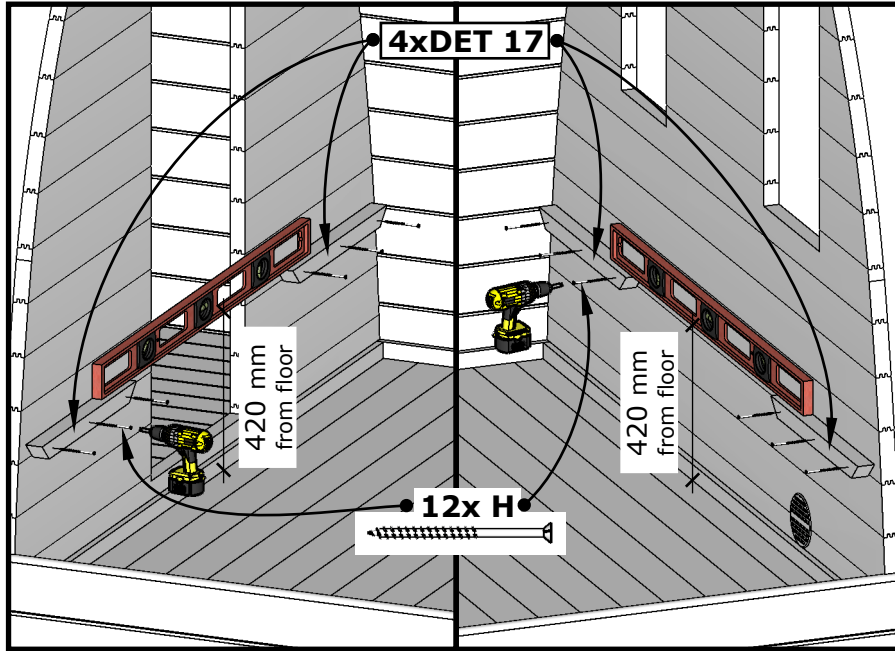


8. III

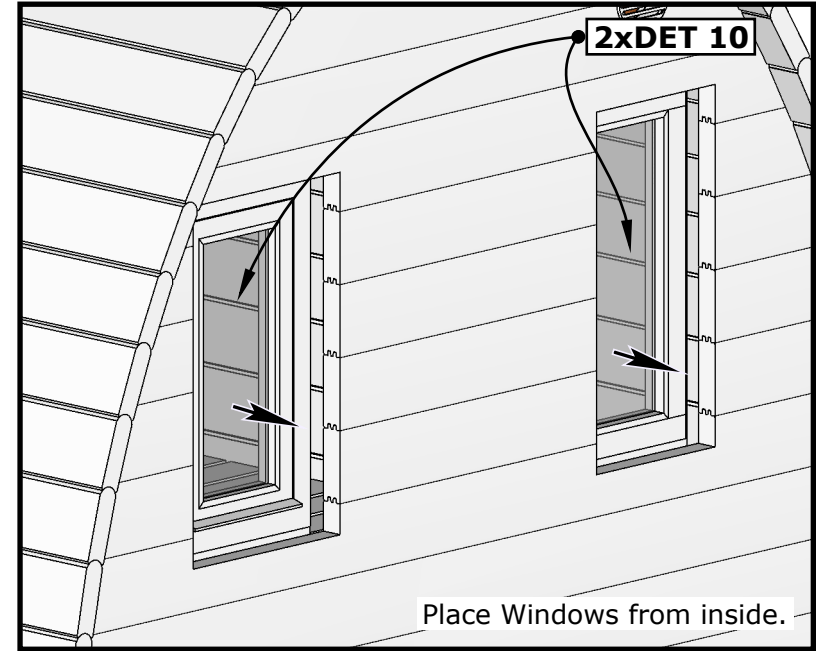


IV

POD Sauna 300

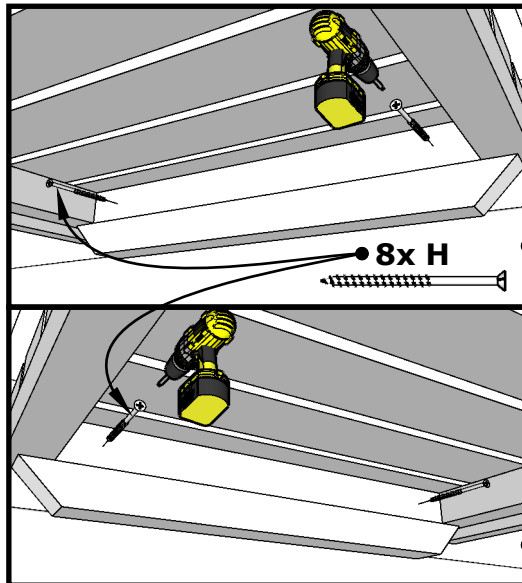


I

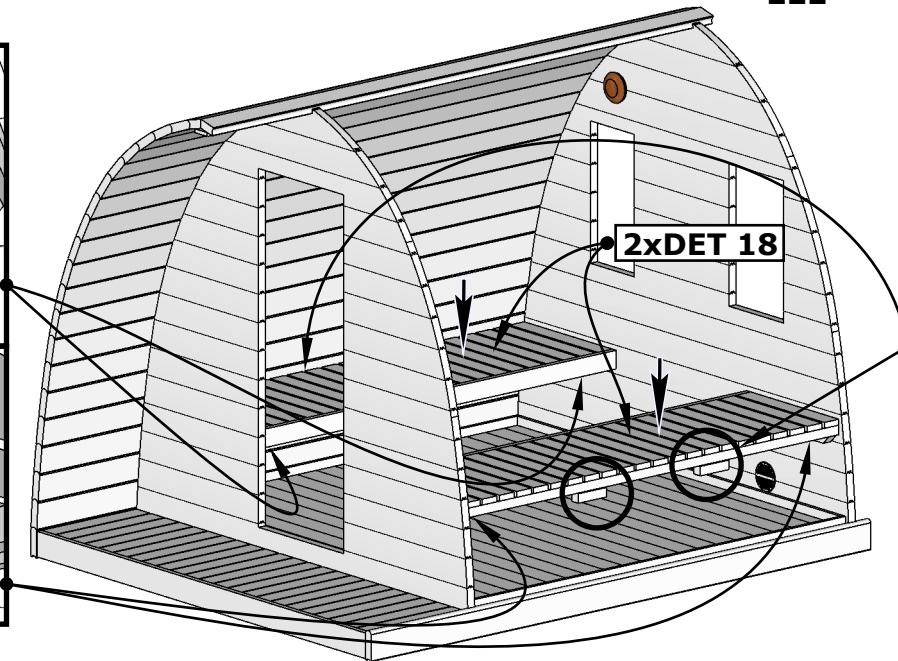


Place Windows from inside.

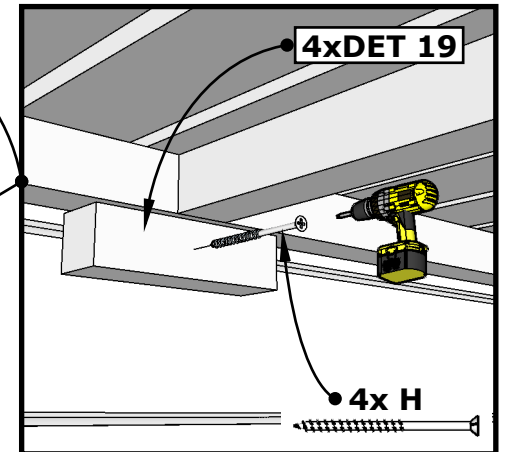
III



9.

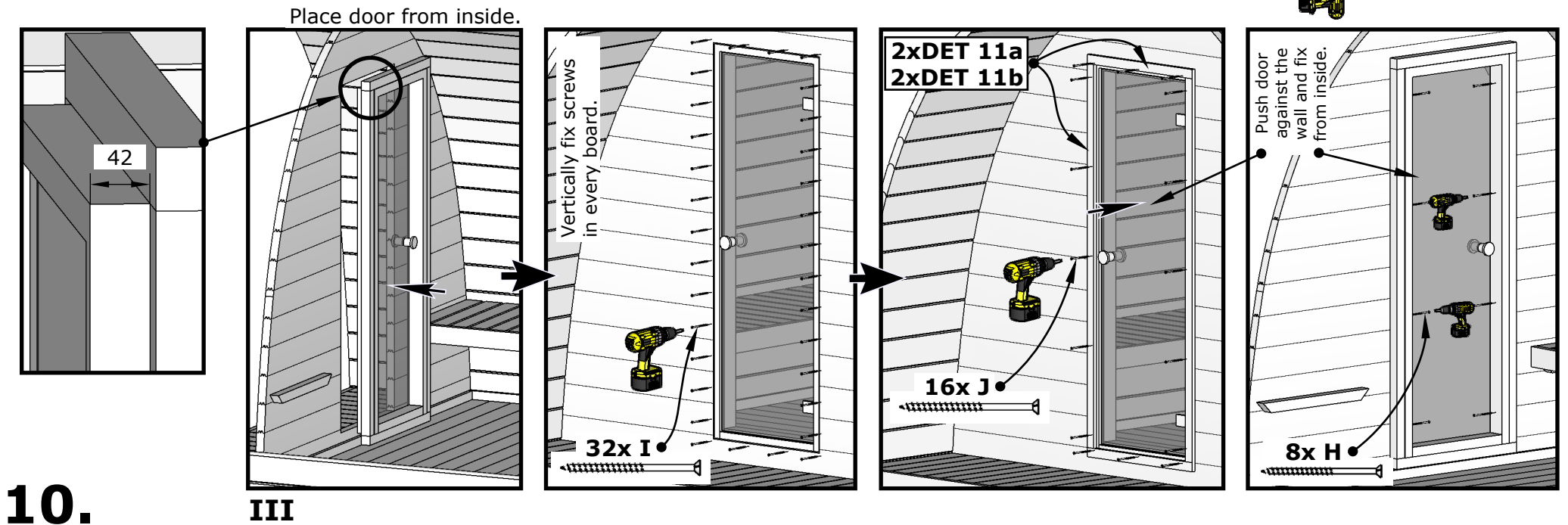
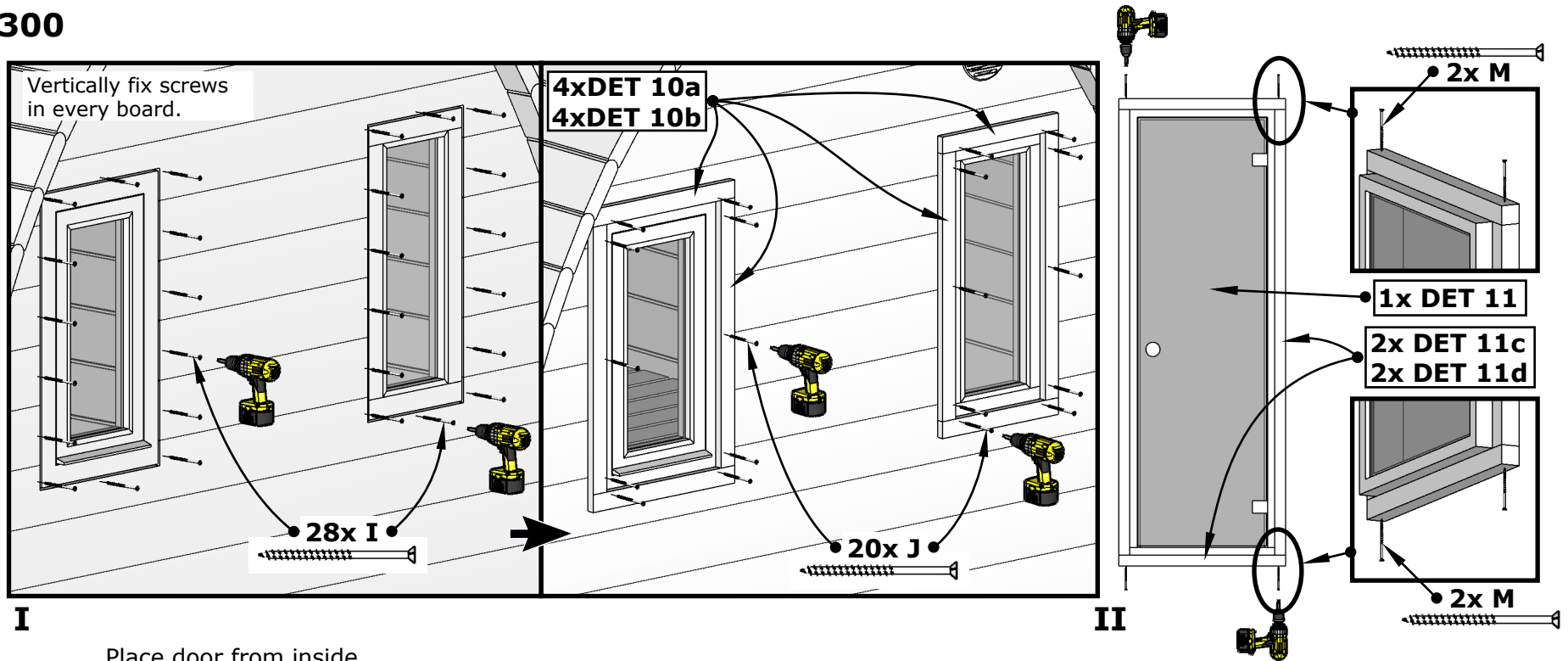


II



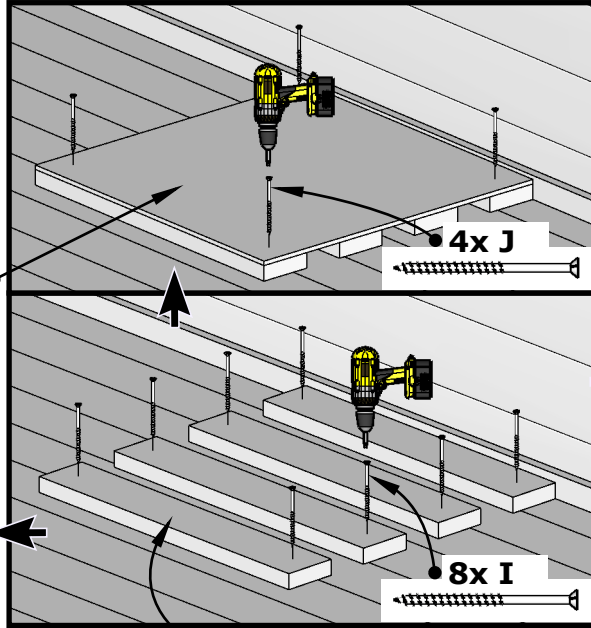
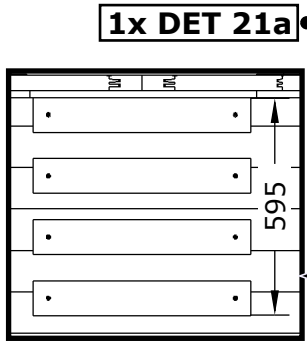
(POD 003)

POD Sauna 300

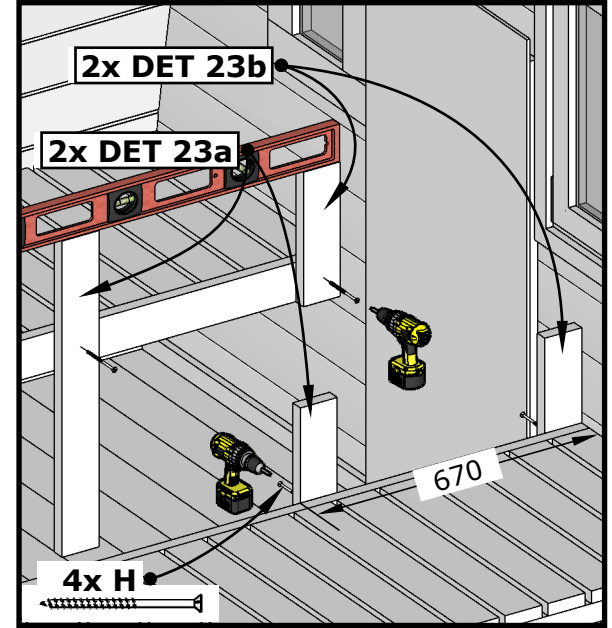
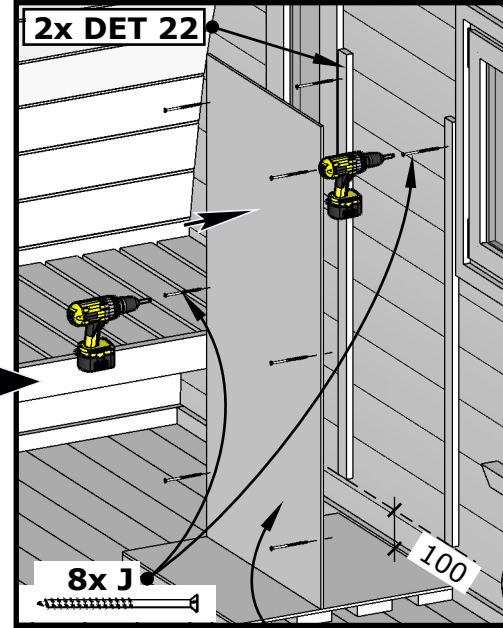


10.

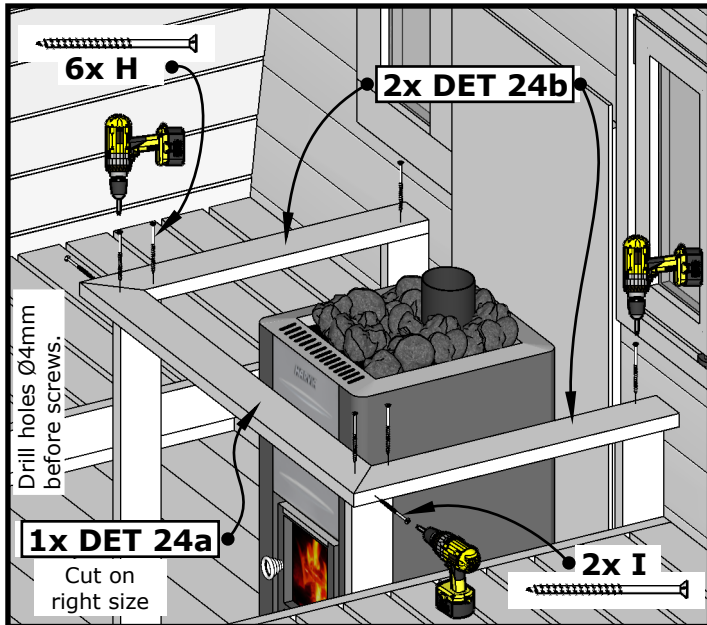
POD Sauna 300



I

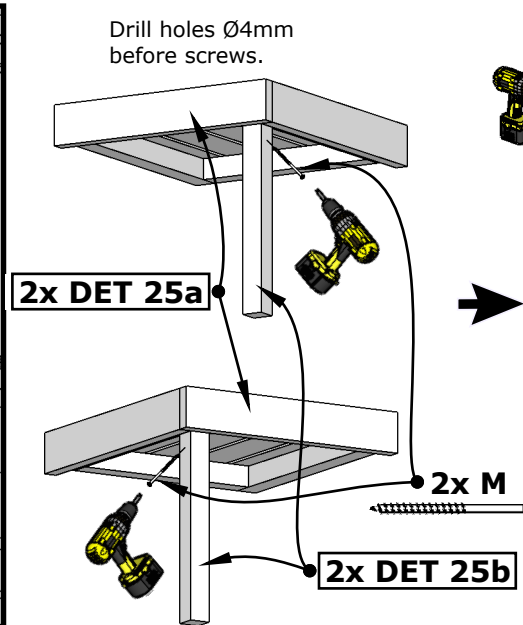


II

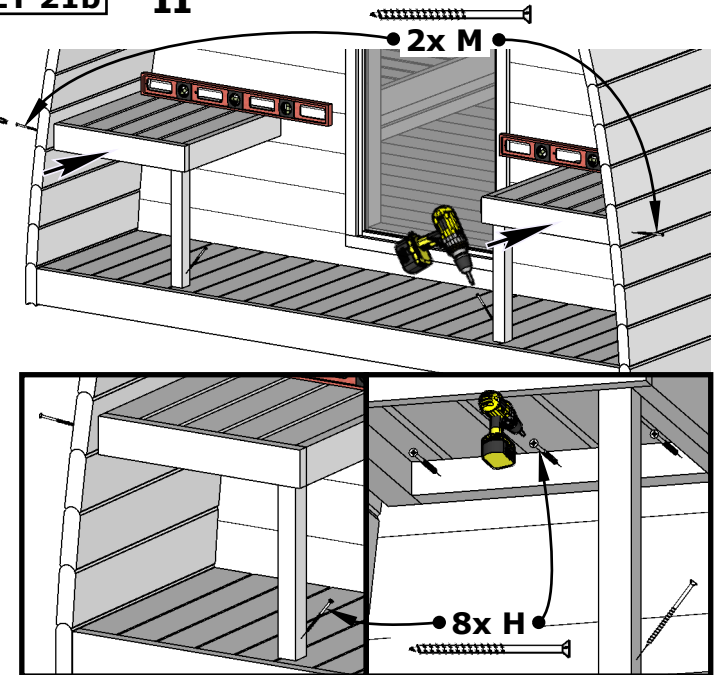


III

Place heater first!

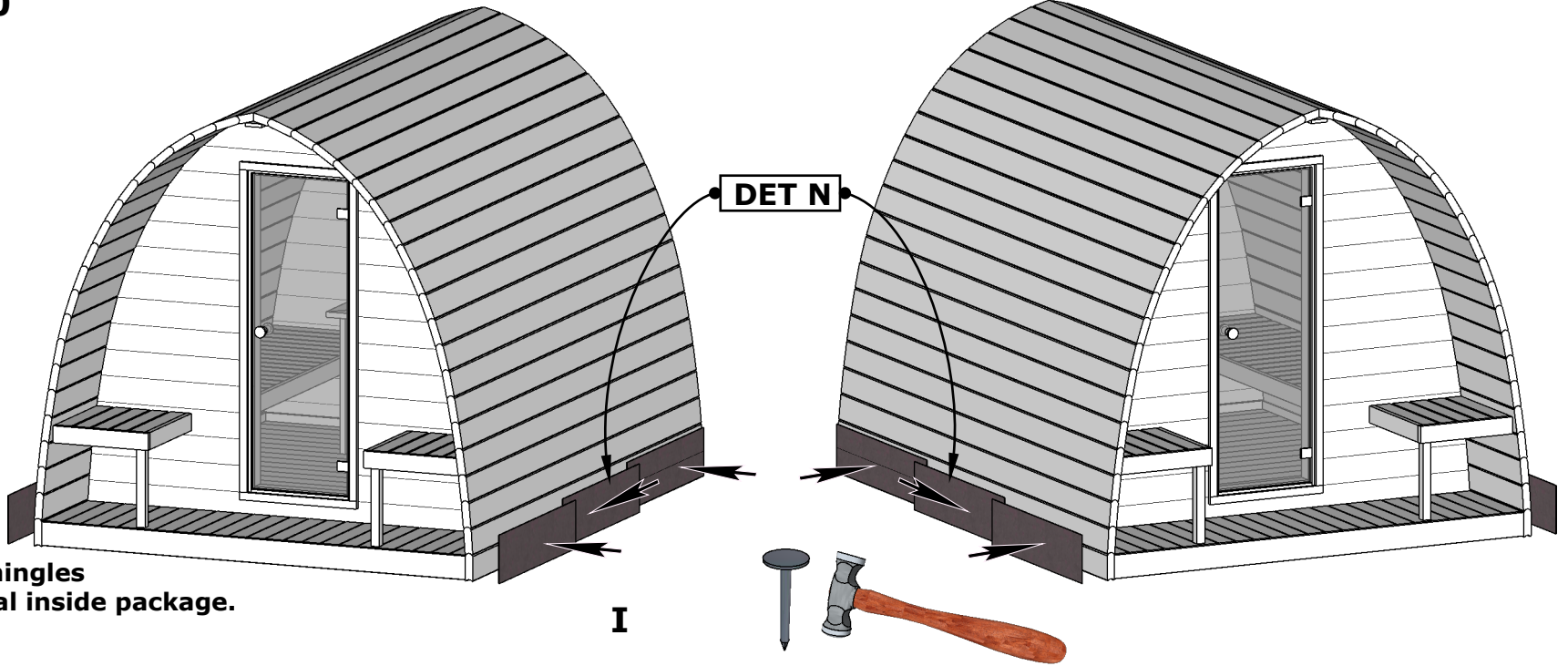


IV



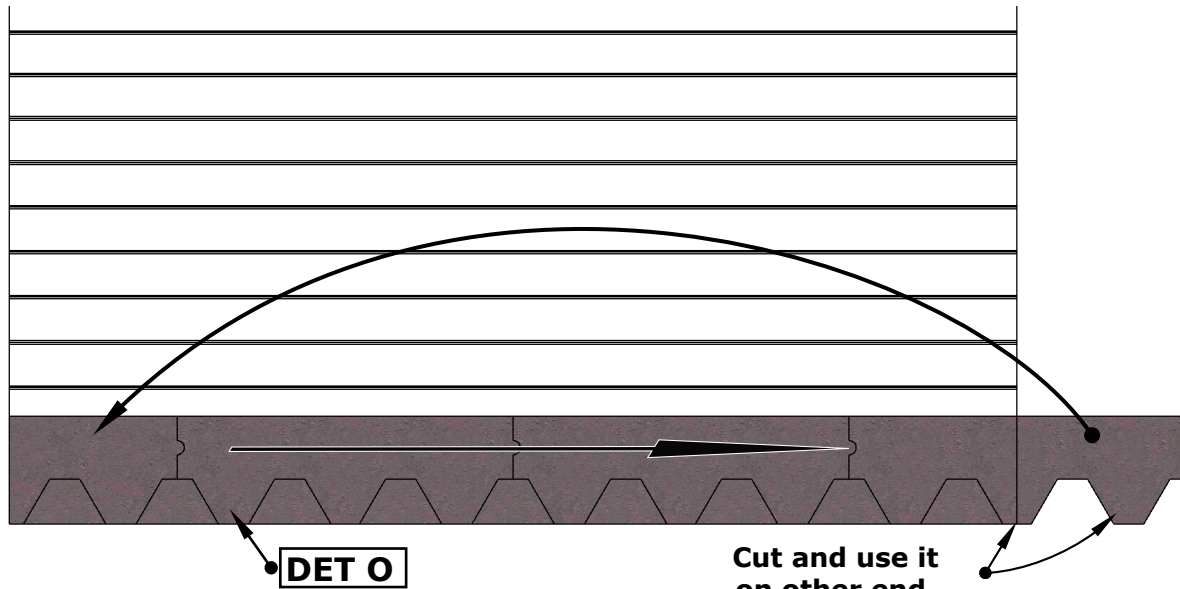
11.

POD Sauna 300



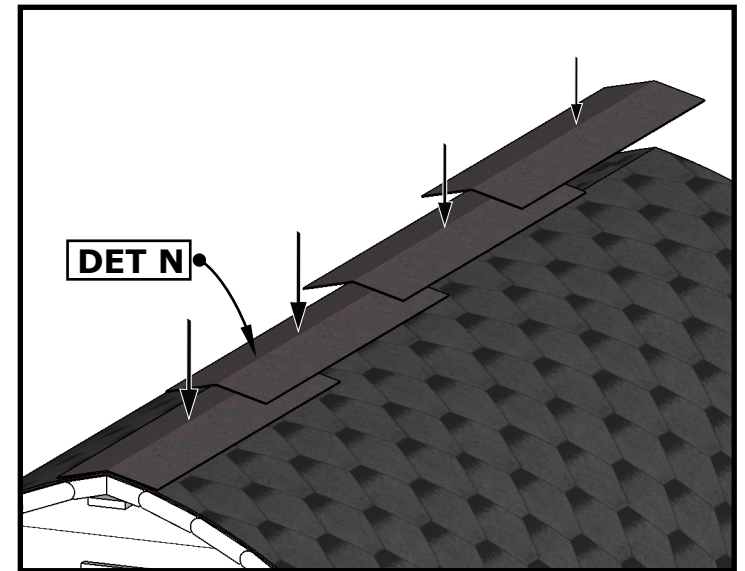
Check also roof shingles installation manual inside package.

I



Cut and use it on other end.

DET O

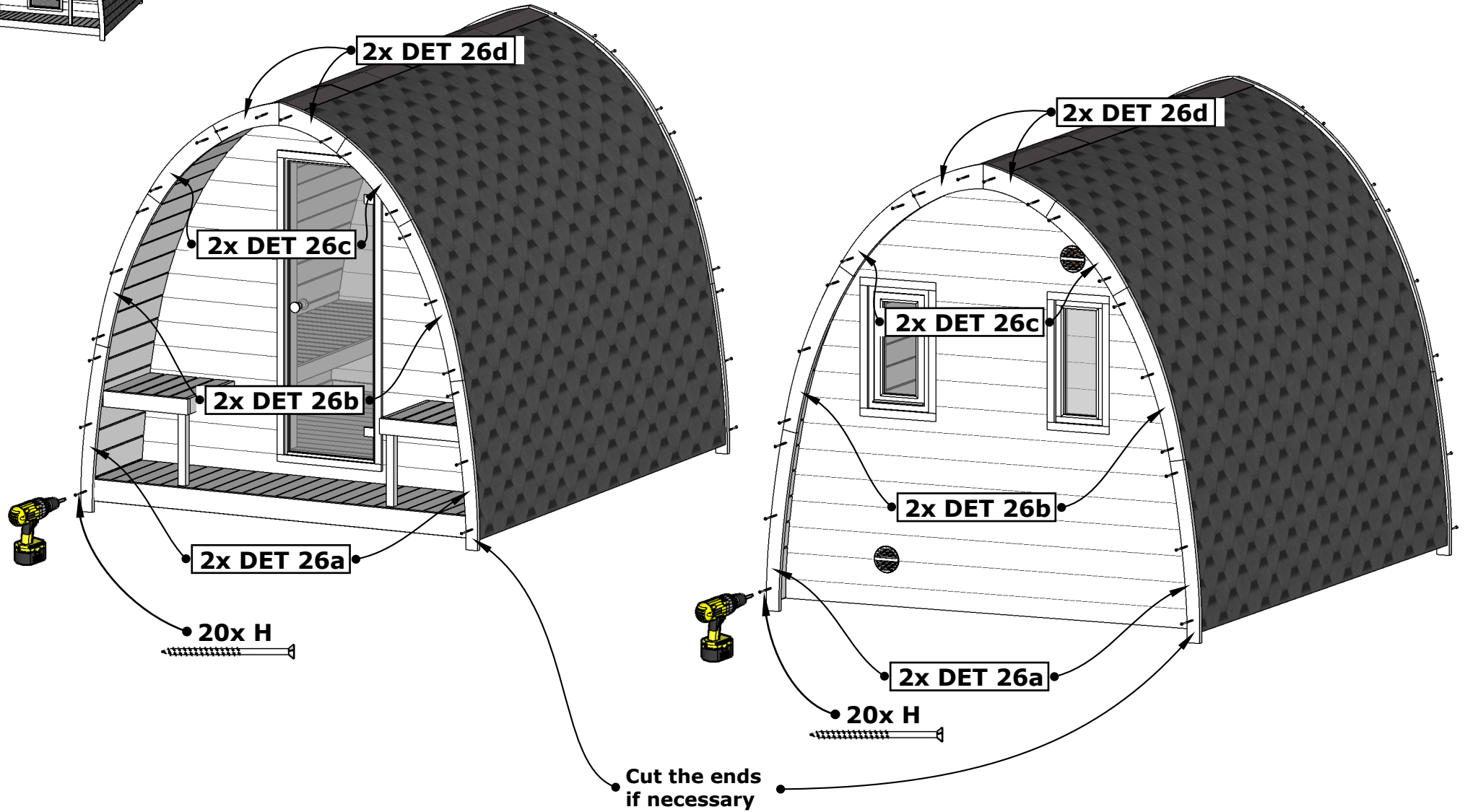


III

12.

(POD 003)

POD Sauna 300



13.