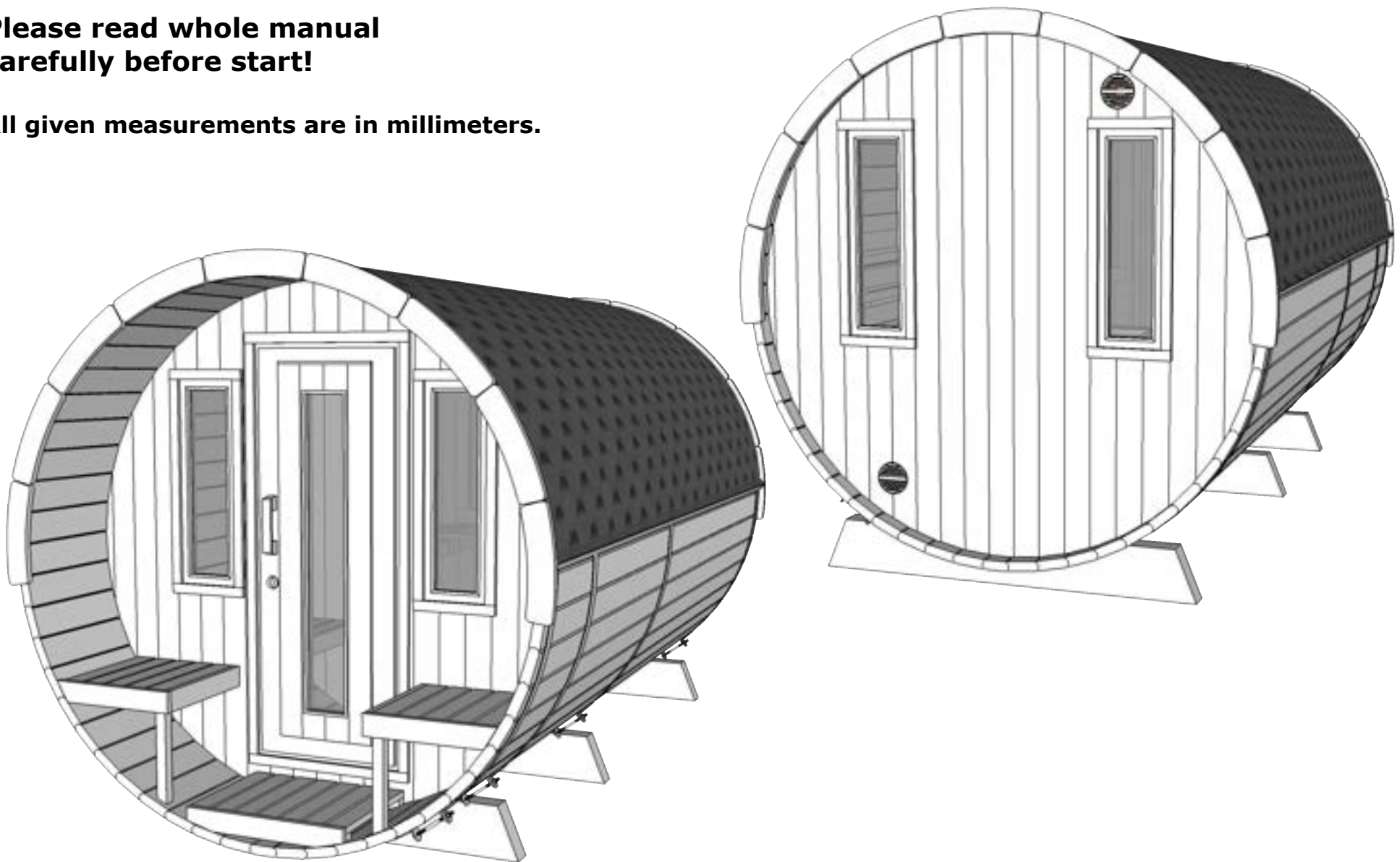


# Sauna DeLux 400, Ø235

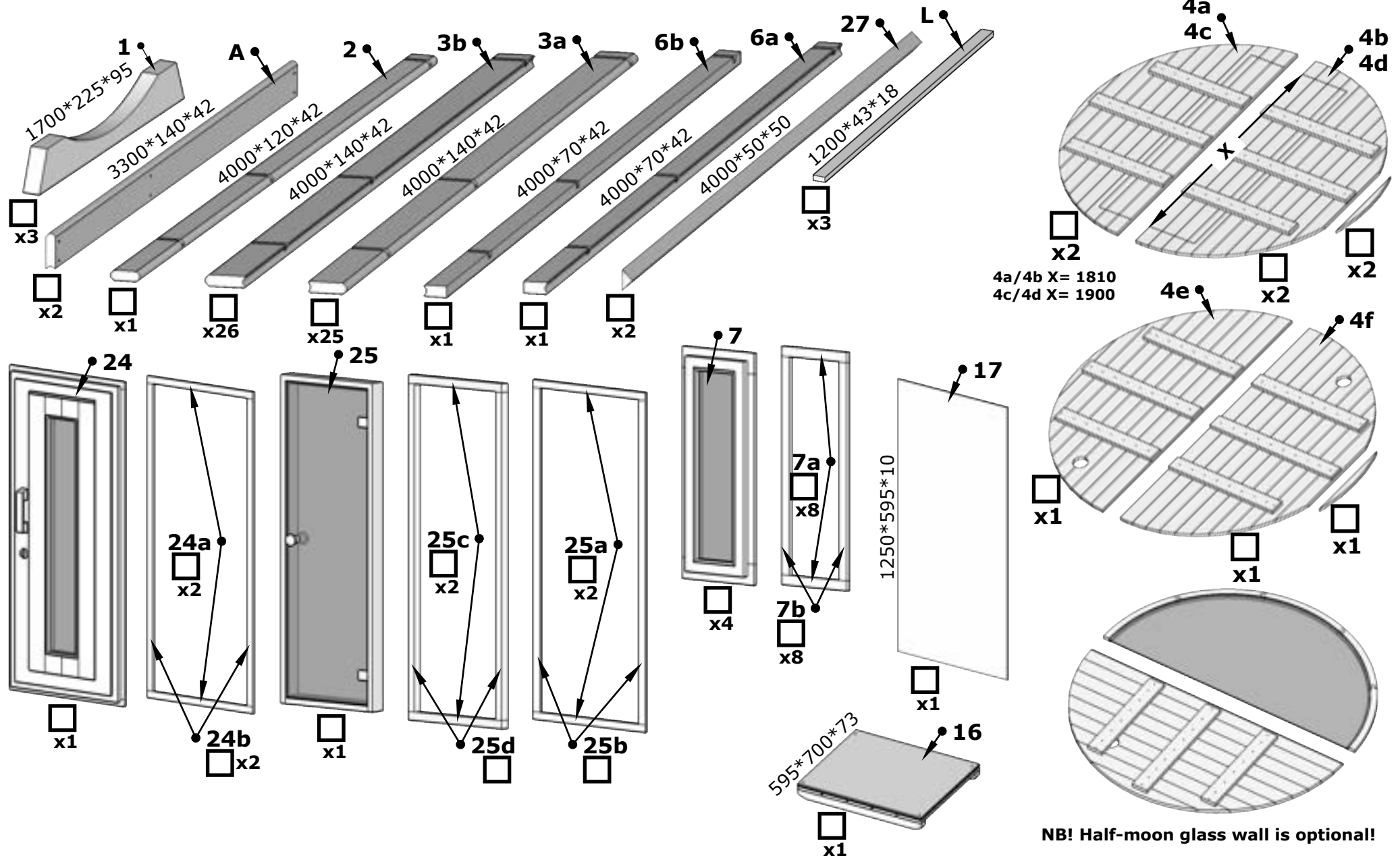
**Please read whole manual  
carefully before start!**

**All given measurements are in millimeters.**



# SAUNA 400, Ø235

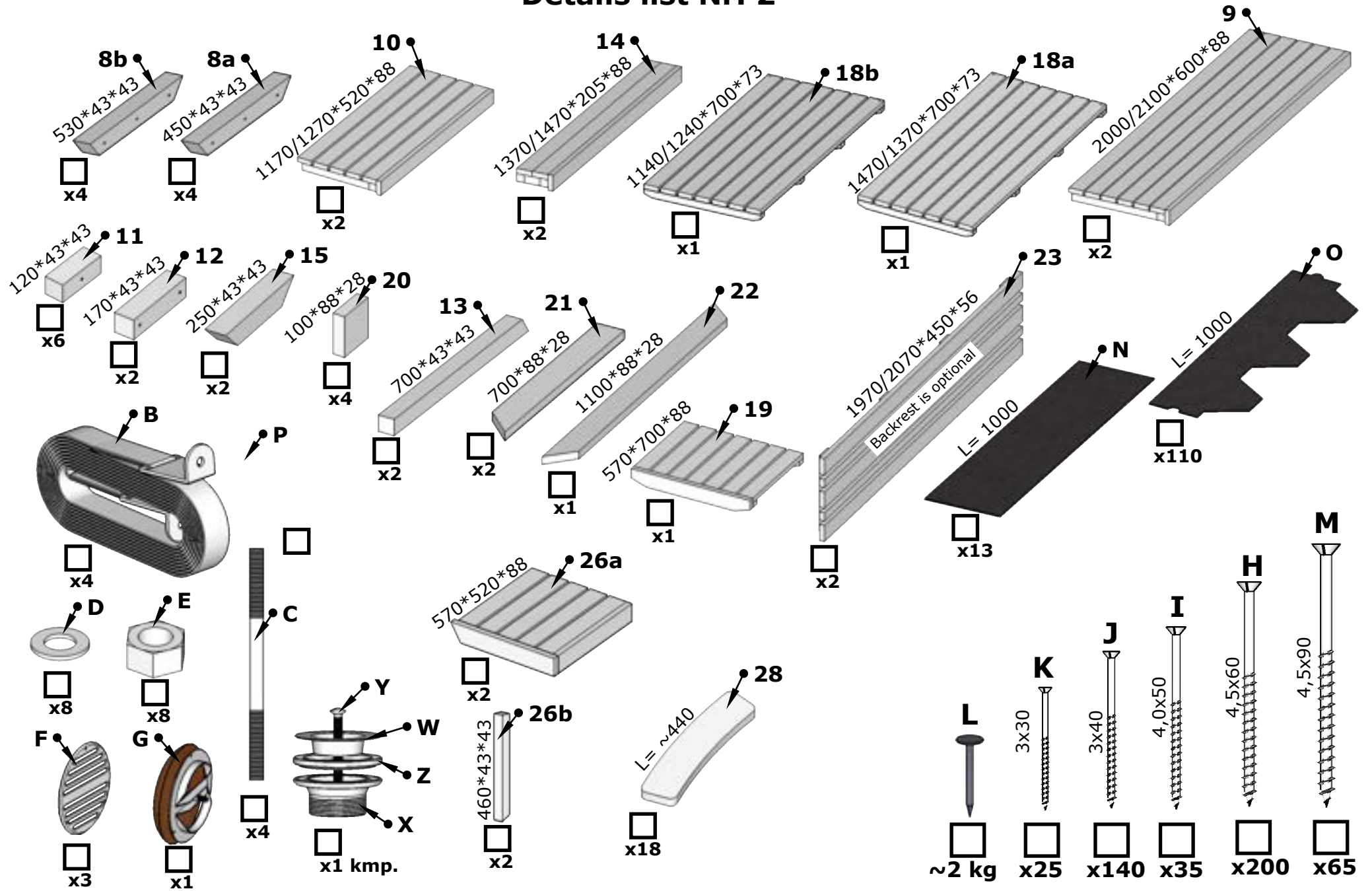
## Details list Nr. 1



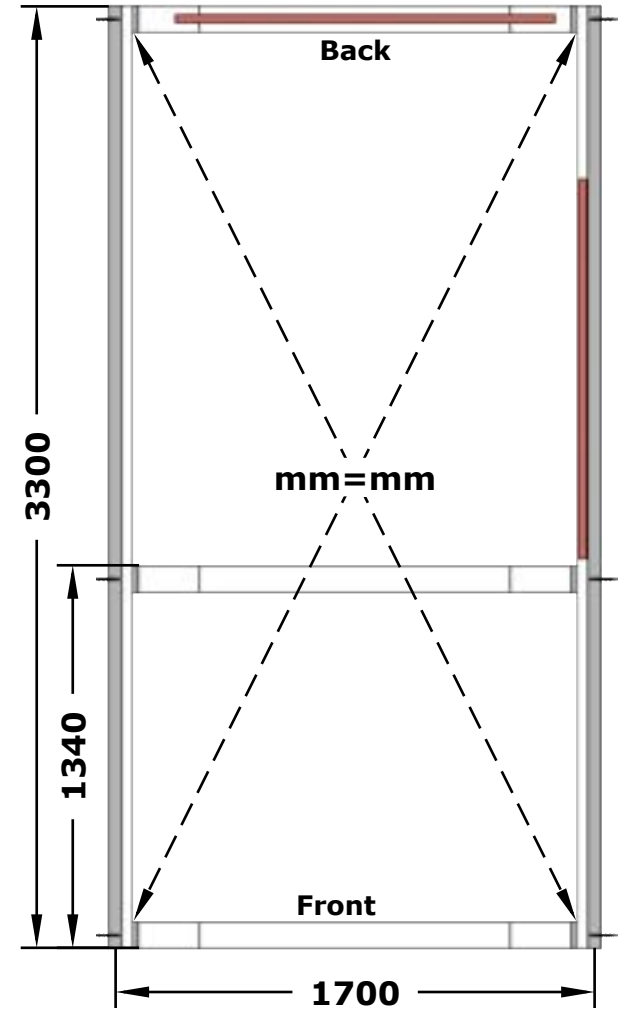
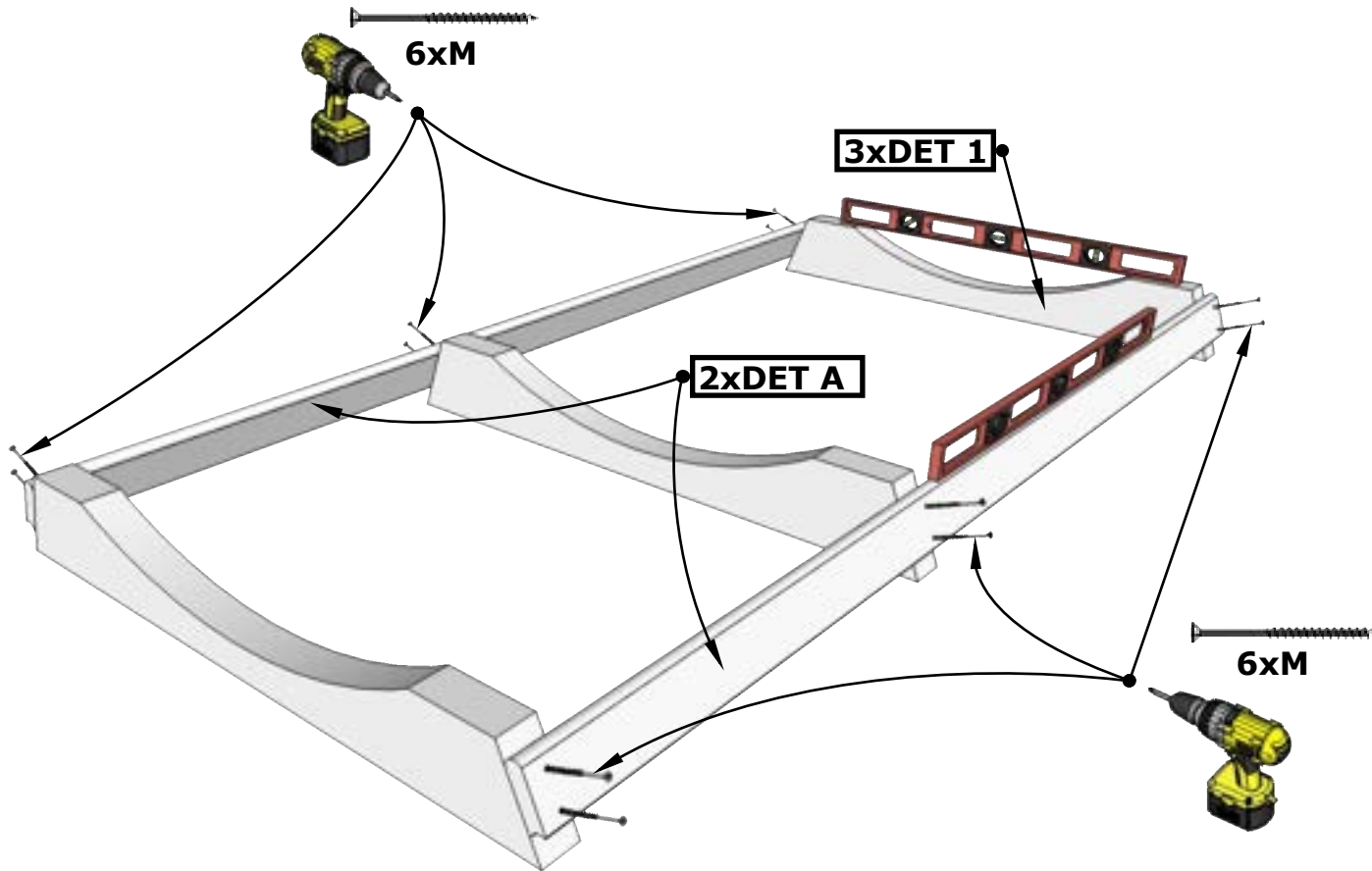
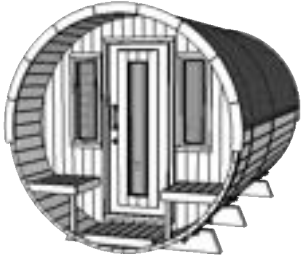
**NB! Half-moon glass wall is optional!**  
**Half-moon glass wall installation manual is on extra pages!**

# SAUNA 400, Ø235

## Details list Nr. 2



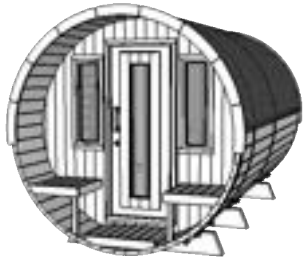
# Sauna DeLux 400, Ø235



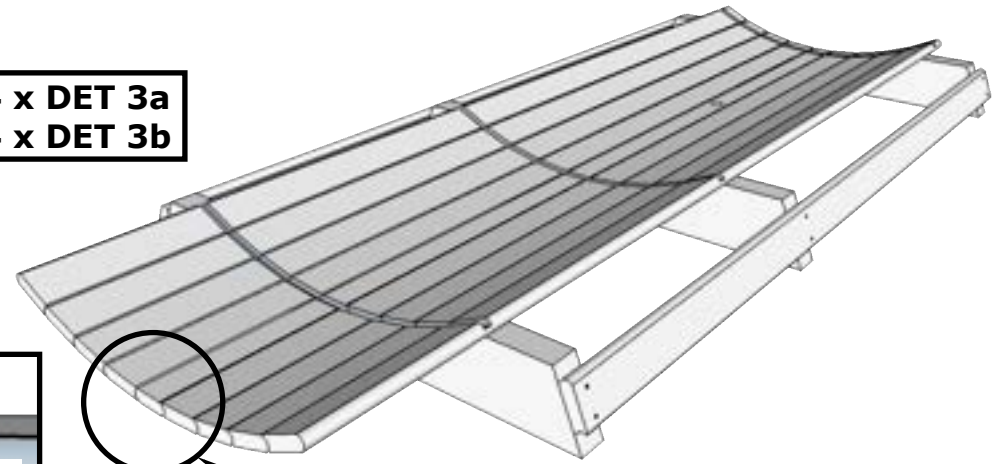
**1.**

(EM 011)

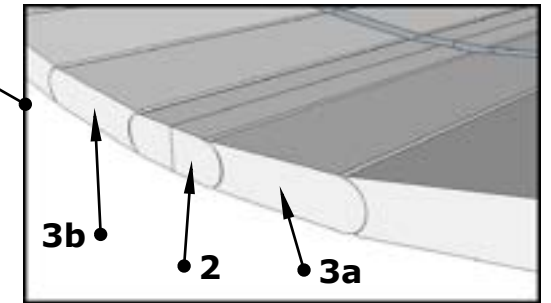
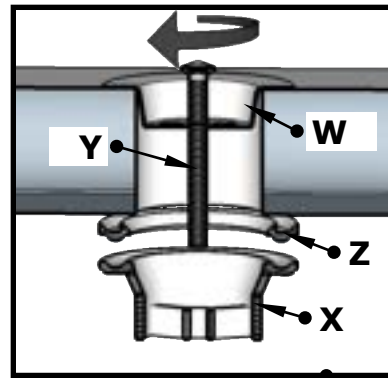
# Sauna DeLux 400, Ø235



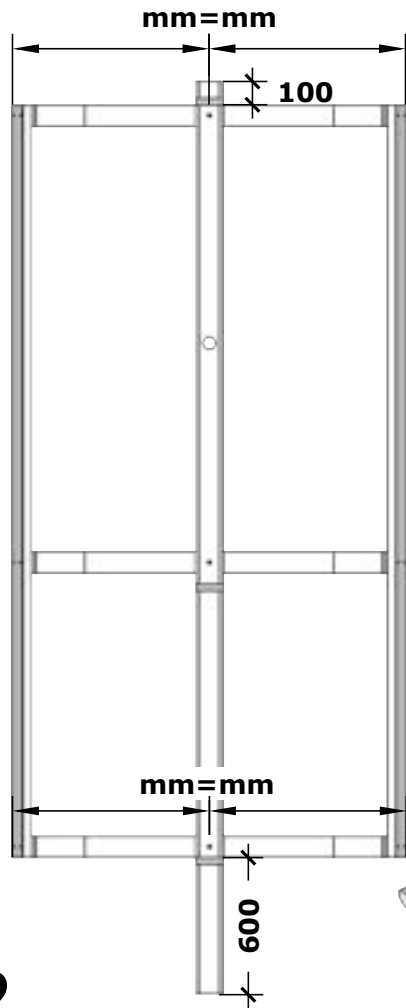
4 x DET 3a  
4 x DET 3b



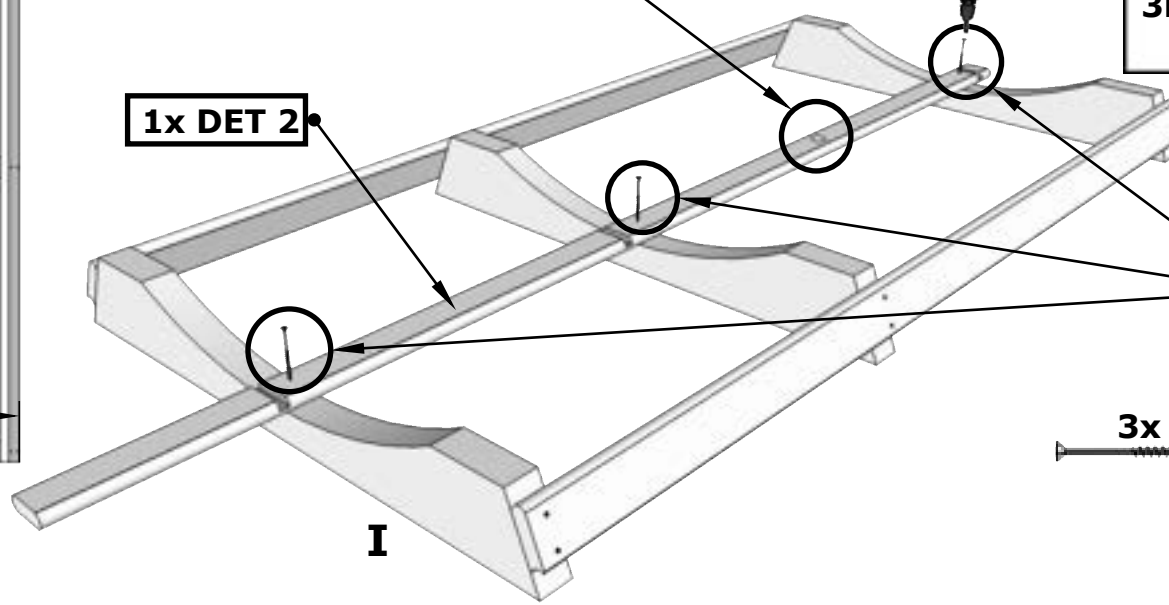
II



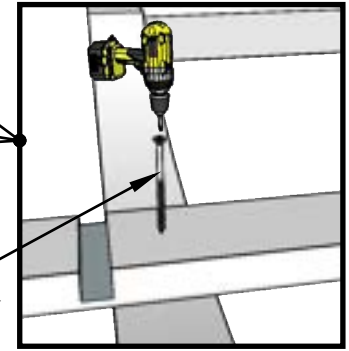
3b  
2  
3a



1x DET 2



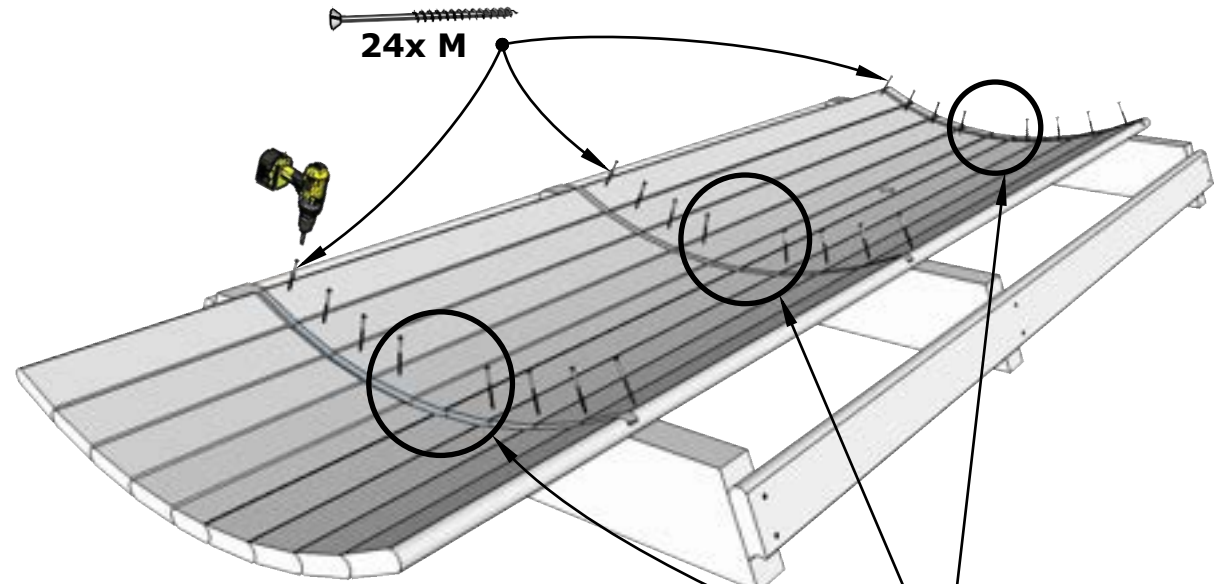
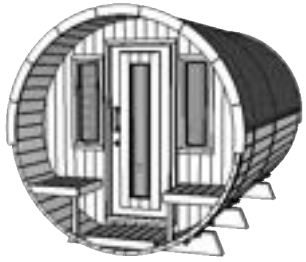
I



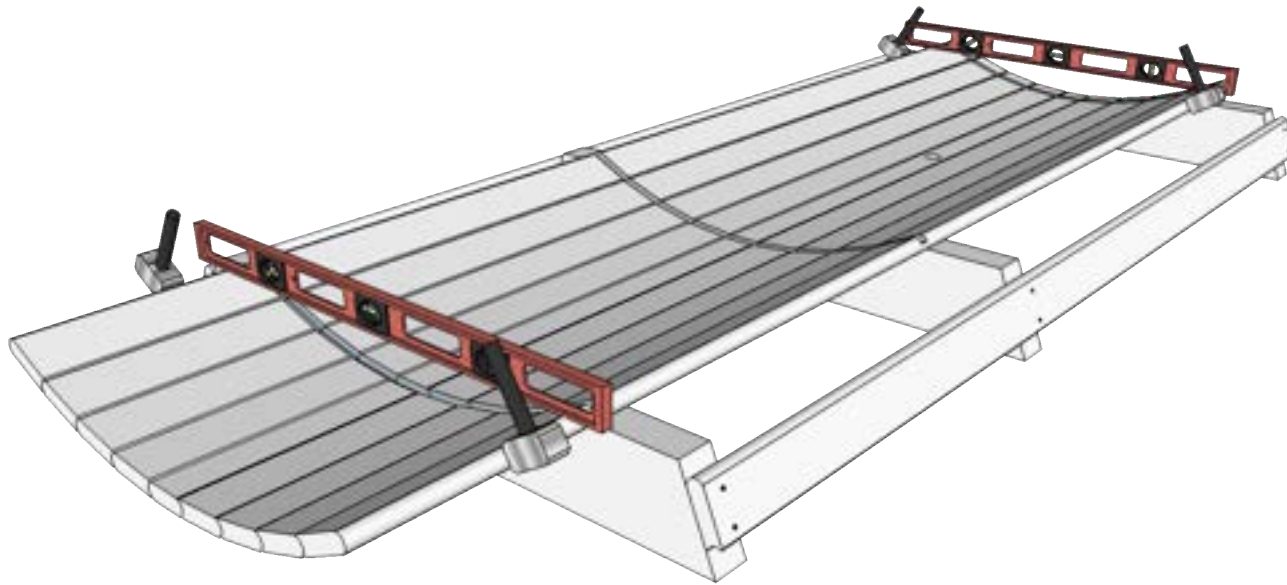
3x M

(EM 011)

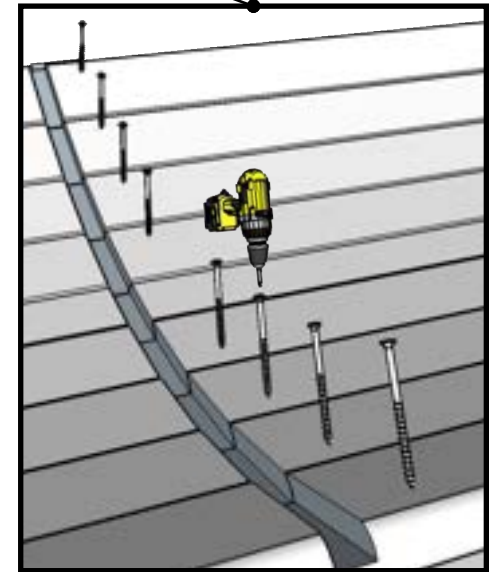
# Sauna DeLux 400, Ø235



**II**



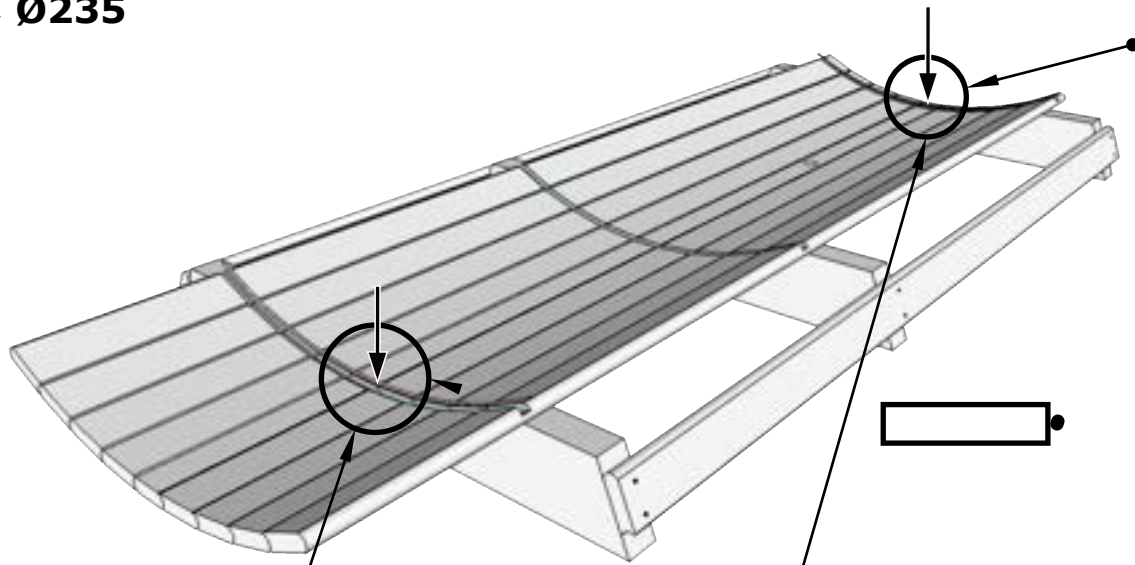
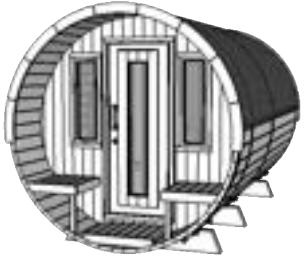
**I**



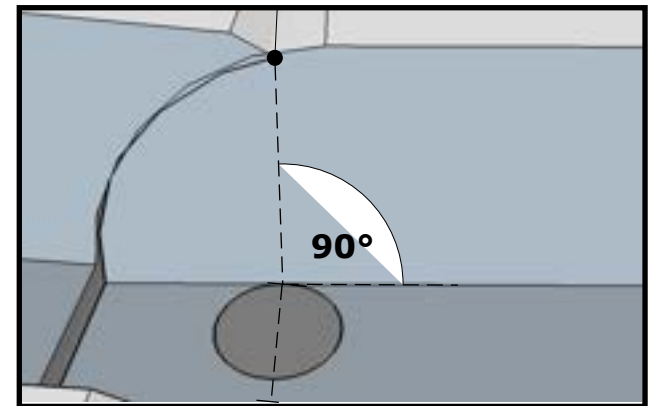
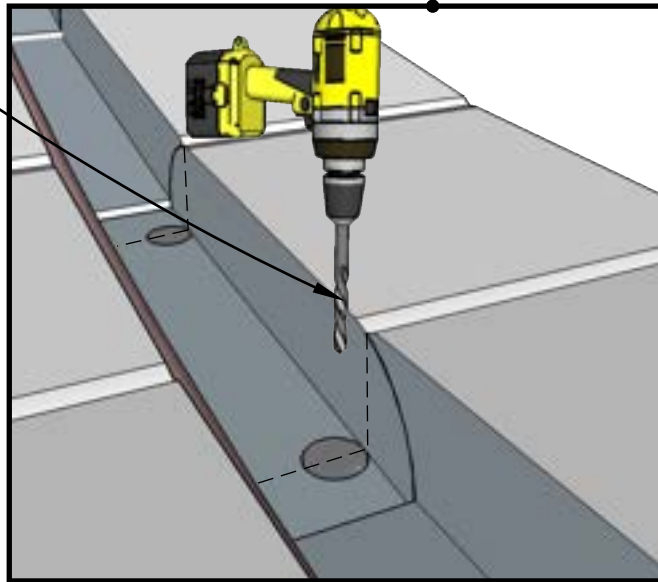
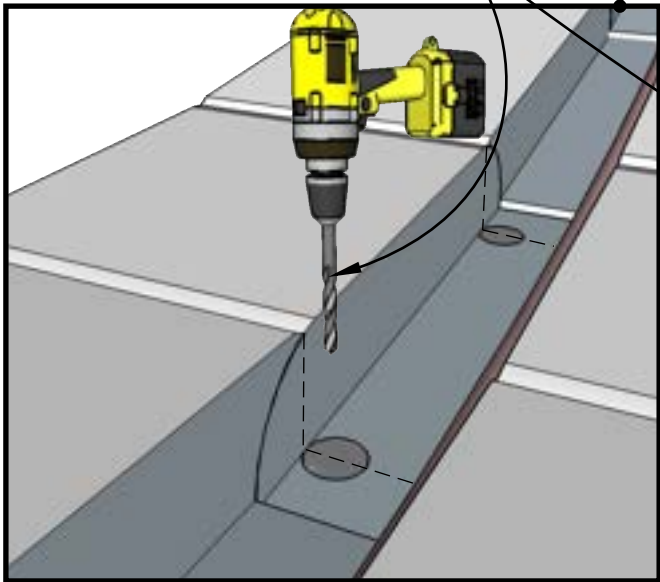
**3.**

(EM 011)

# Sauna DeLux 400, Ø235



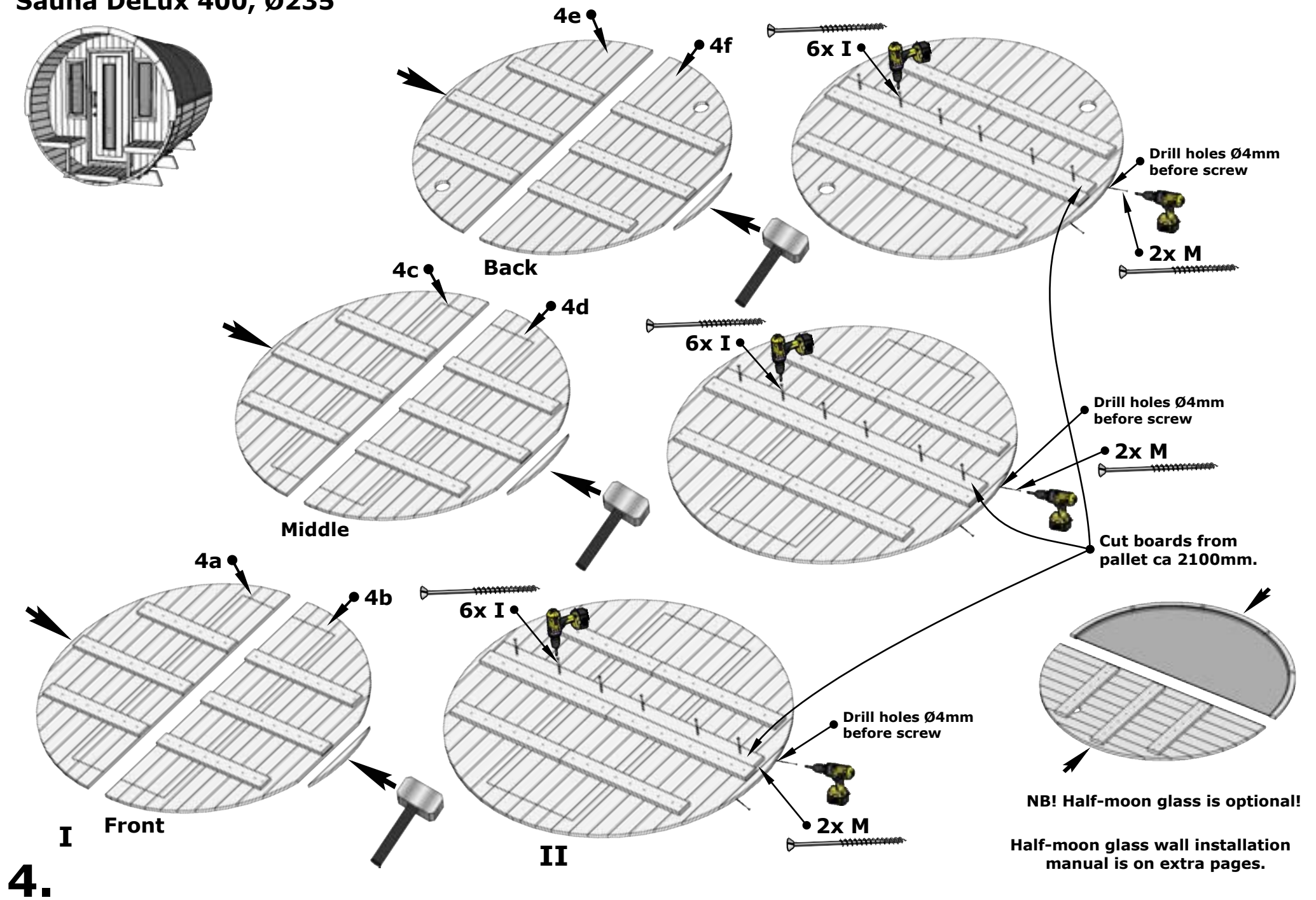
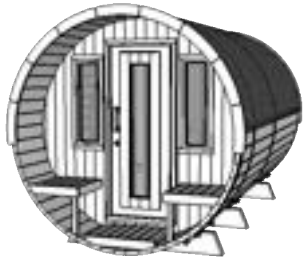
Drill 2 holes Ø10 mm into DET 2 outside



## 3A.

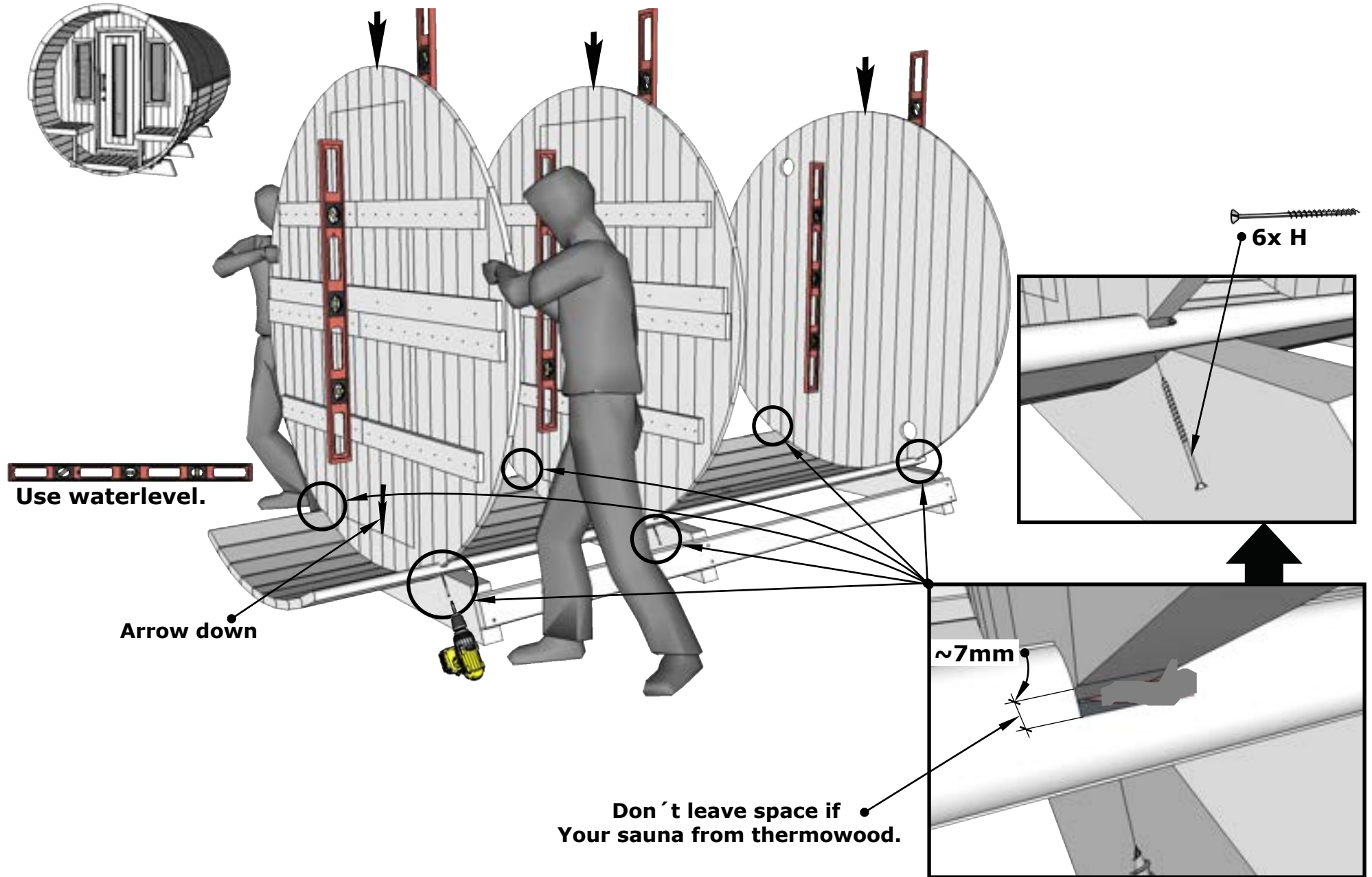
(EM 011)

# Sauna DeLux 400, Ø235





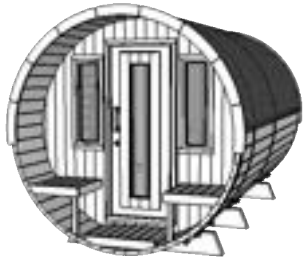
# Sauna DeLux 400, Ø235



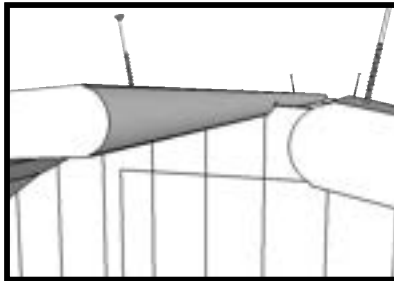
5.

(EM 011)

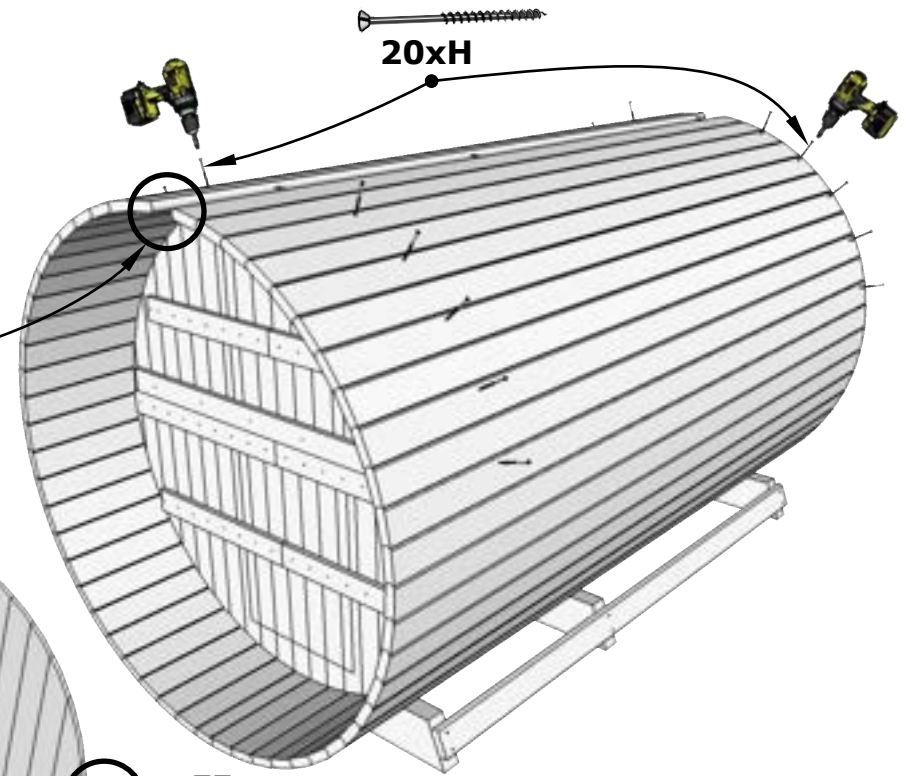
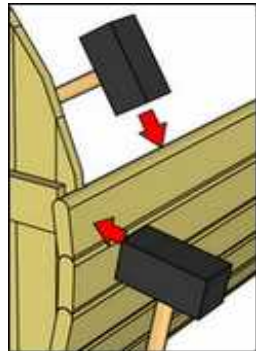
# Sauna DeLux 400, Ø235



See page 6A



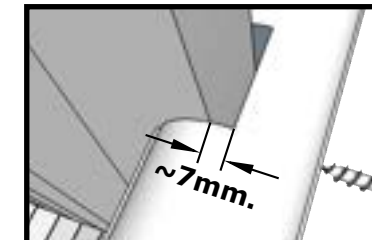
12x DET 3b  
11x DET 3a



20xH

II

Don't leave space if Your sauna from thermowood.



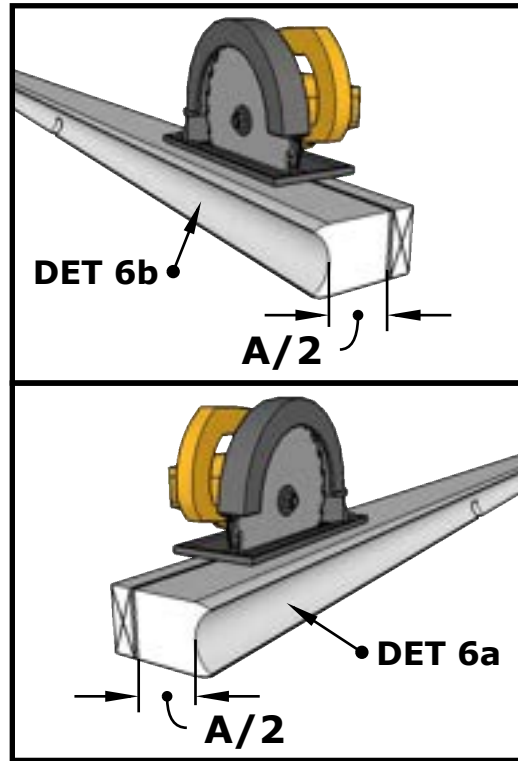
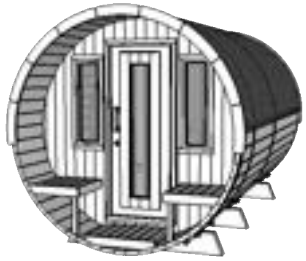
20xH

10x DET 3a  
10x DET 3b

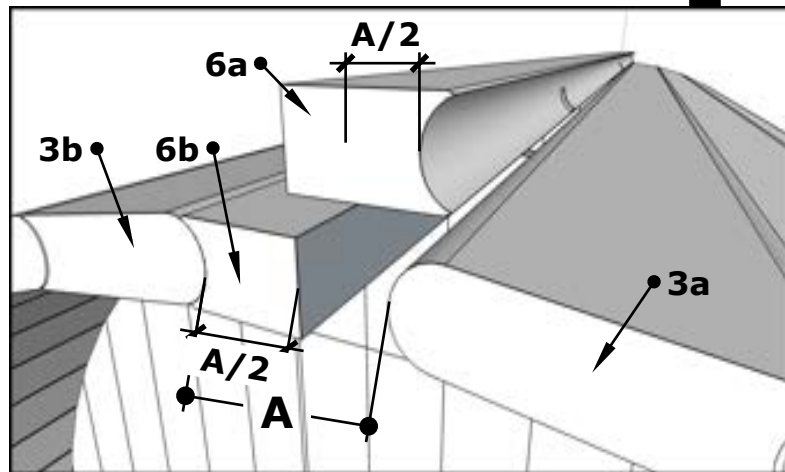
I

6.

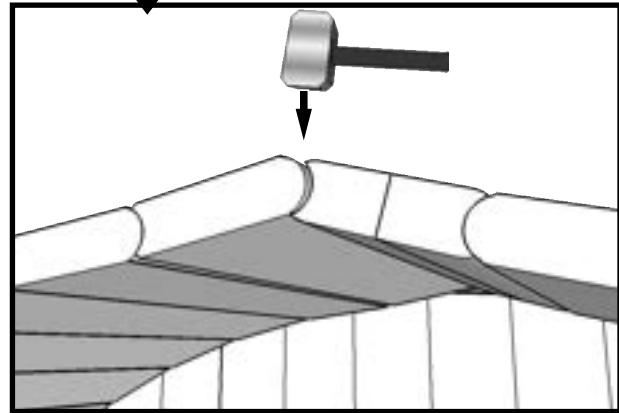
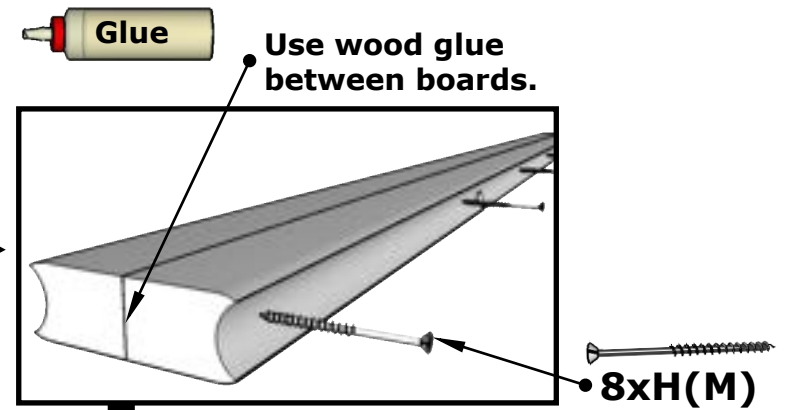
# Sauna DeLux 400, Ø235



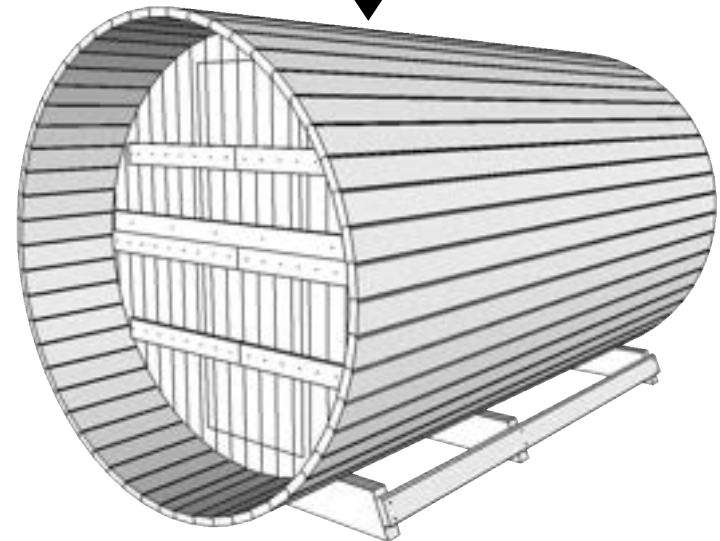
**Attention!!!**



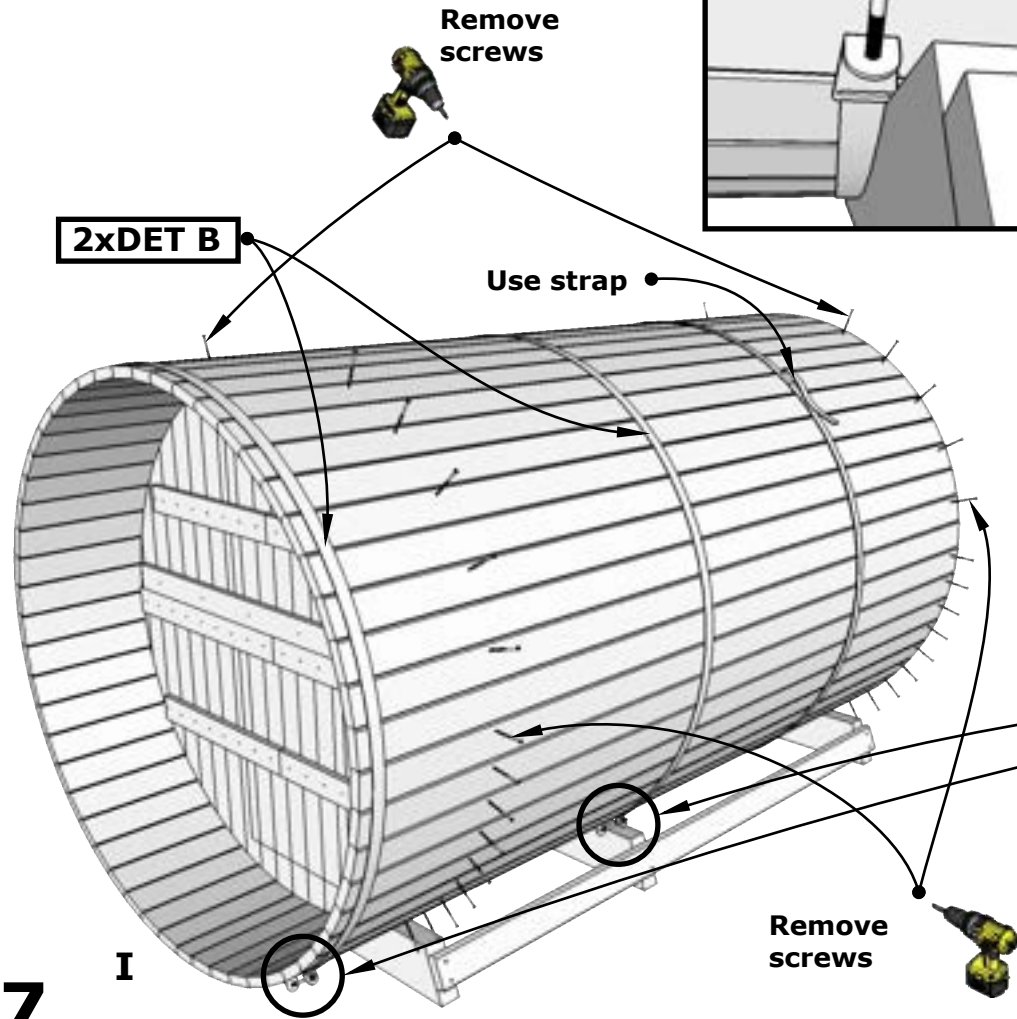
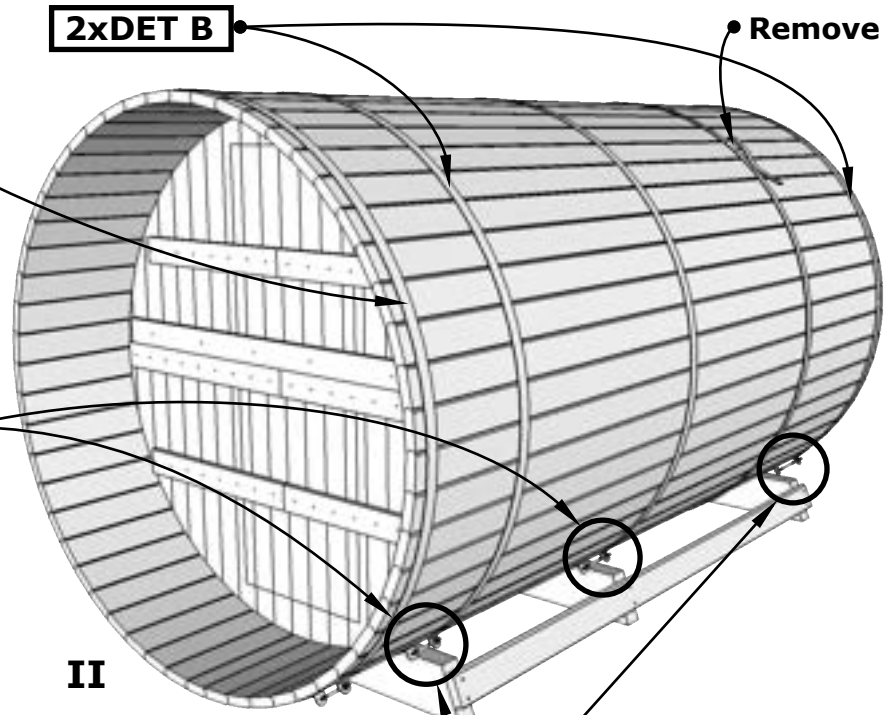
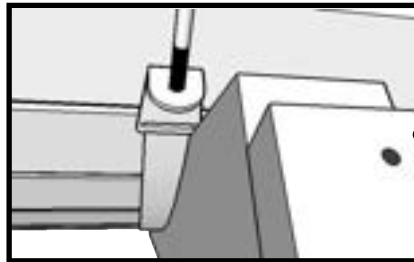
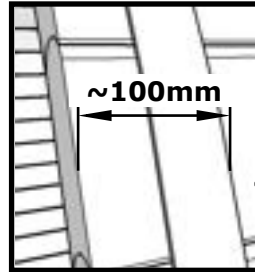
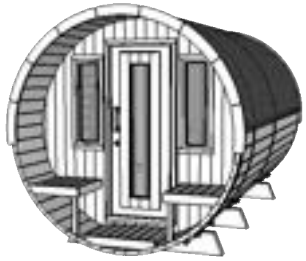
**6A.**



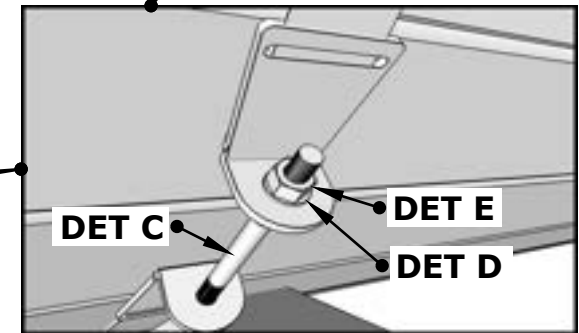
Use wood glue between boards.



# Sauna DeLux 400, Ø235



**Important! Remove the screws and use them for further assembly.**



**During assembly and retightening the threaded rods, use oil (Würth HPS 1400 or similar) to avoid "cold welding" and it is also easier tightening.**

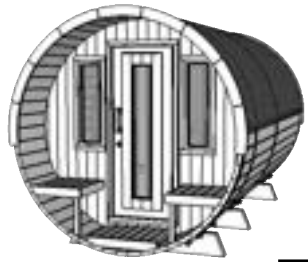


Remove screws

(EM 011)

7.

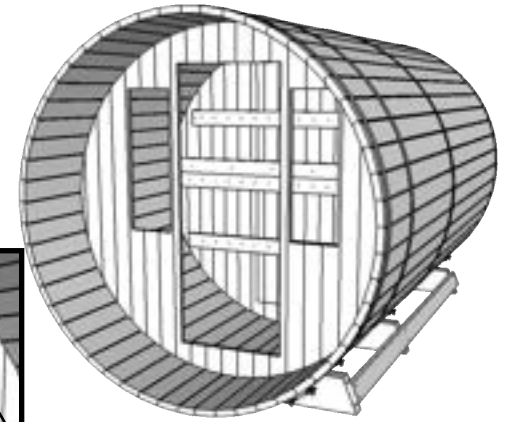
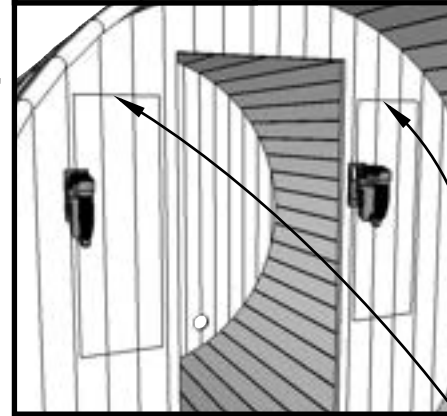
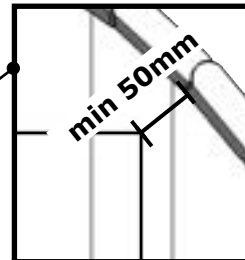
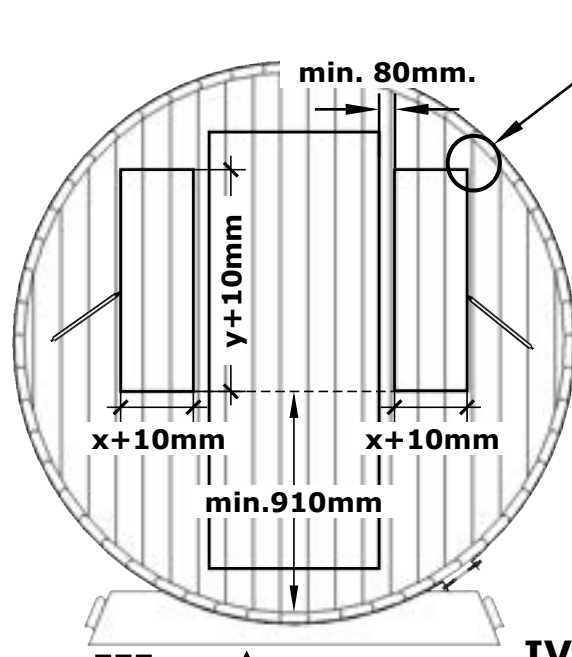
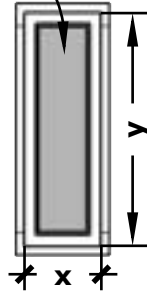
# Sauna DeLux 400, Ø235



**DET 7**

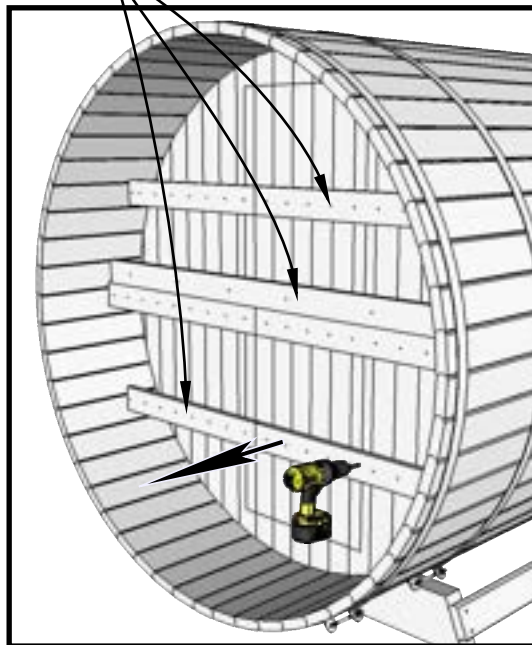


Use waterlevel for windows install

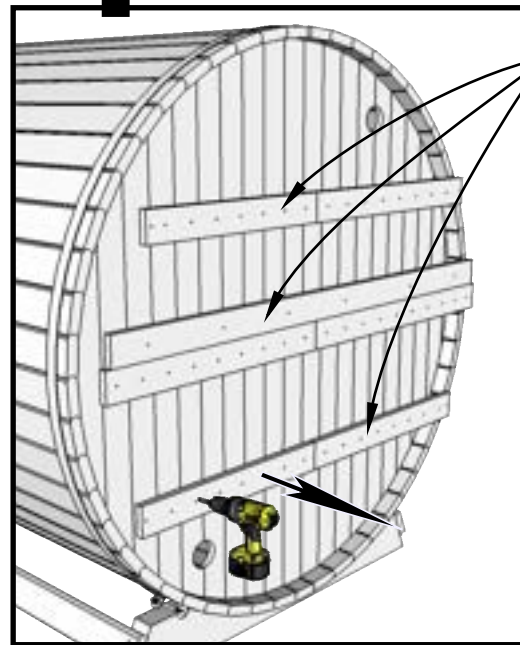


**V**

Remove all brackets



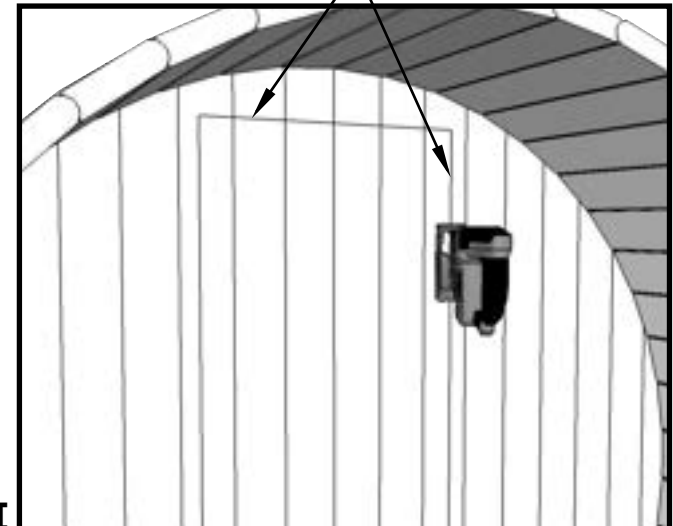
**I**



Remove all brackets

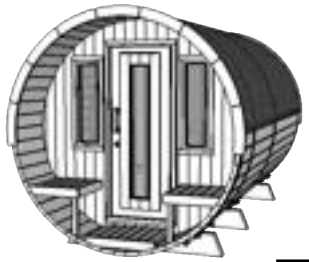
**II**

Follow the guidelines



**8.**

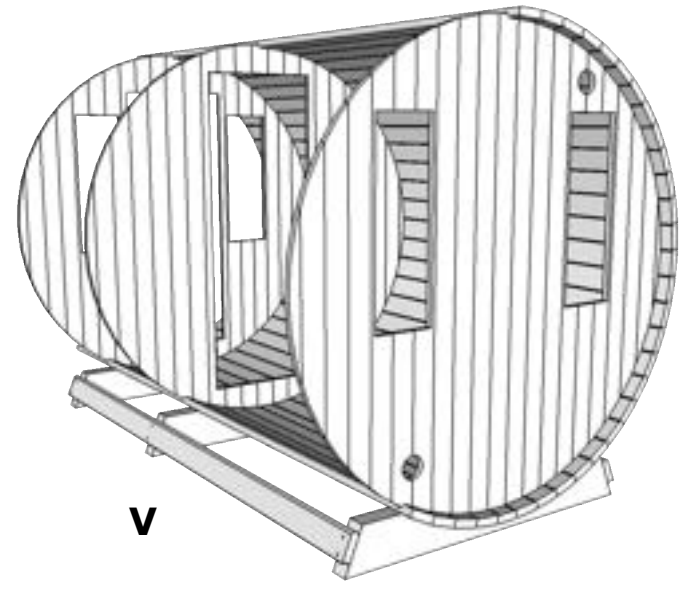
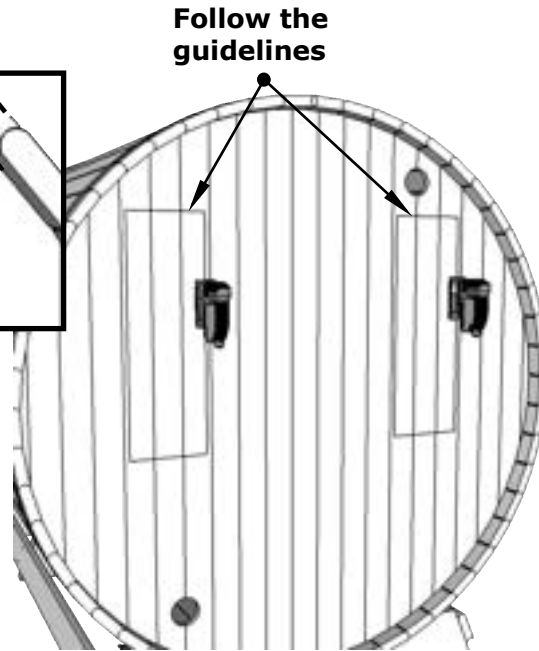
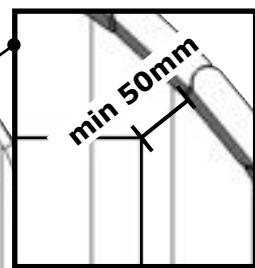
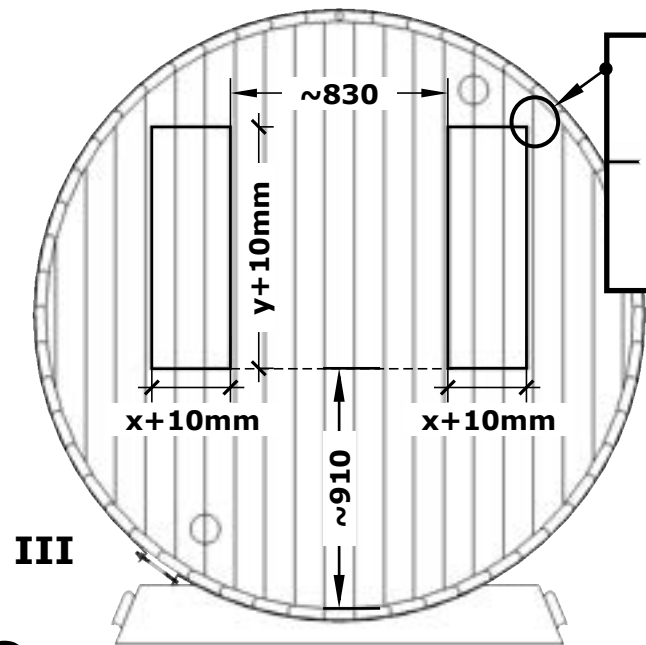
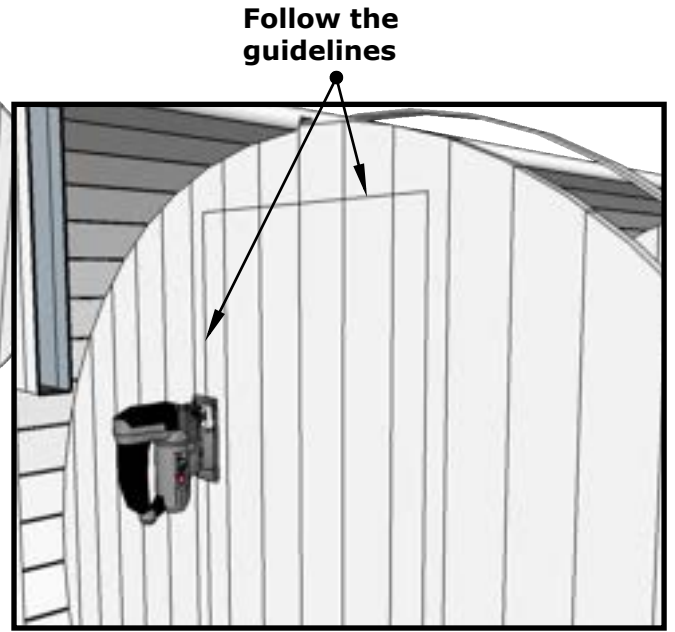
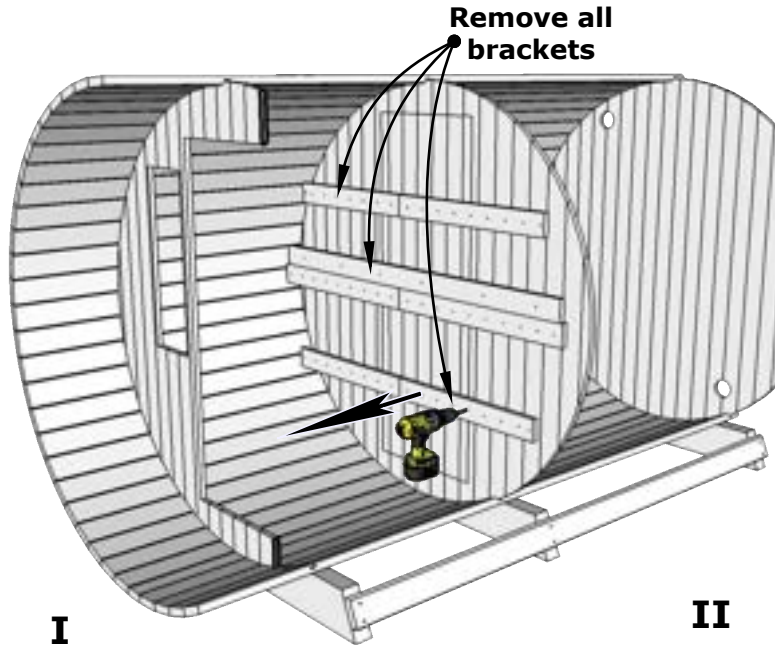
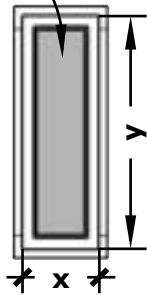
# Sauna DeLux 400, Ø235



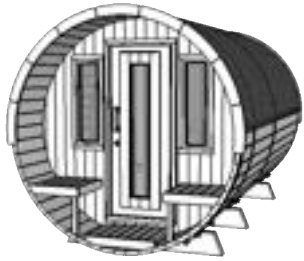
**DET 7**



Use waterlevel for windows install



# Sauna DeLux 400, Ø235



Use waterlevel for windows install

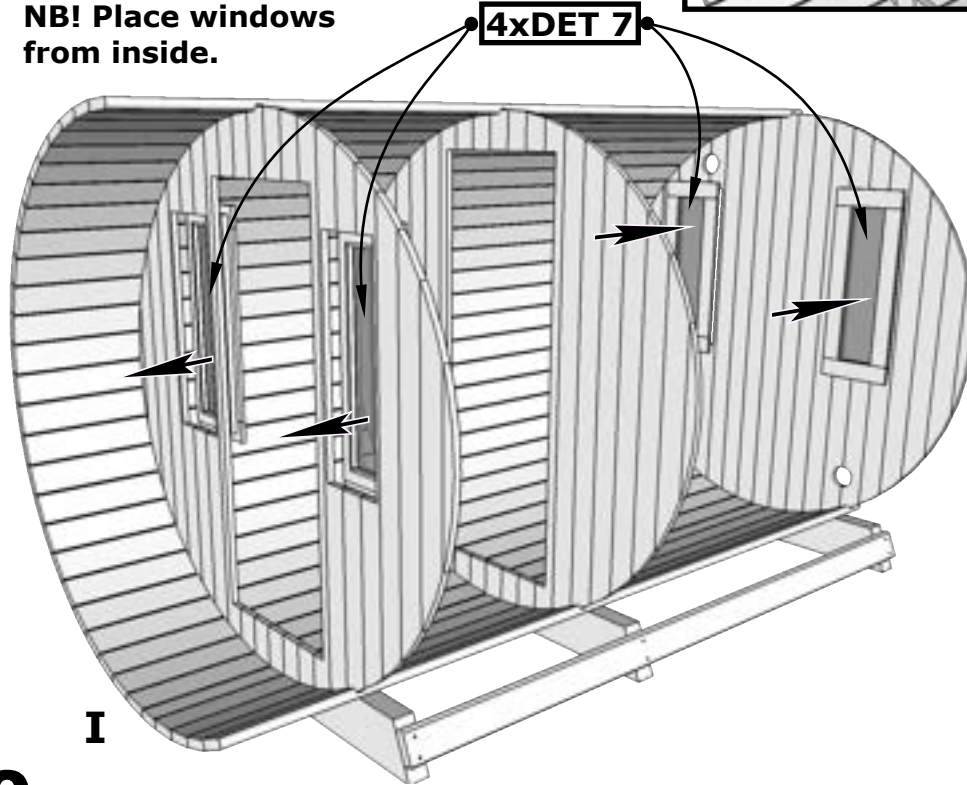
**NB! Place windows from inside.**

20x J



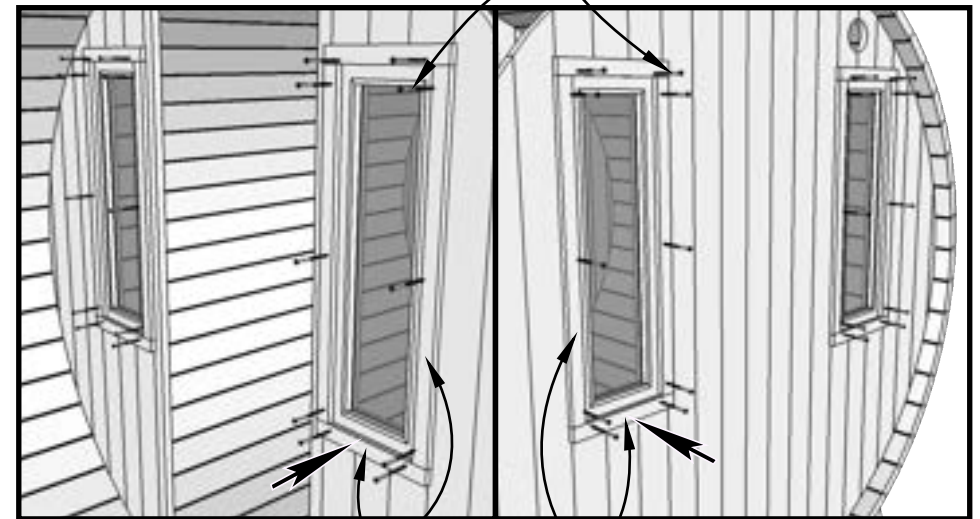
Horizontally fix screws in every board

20x J



4xDET 7

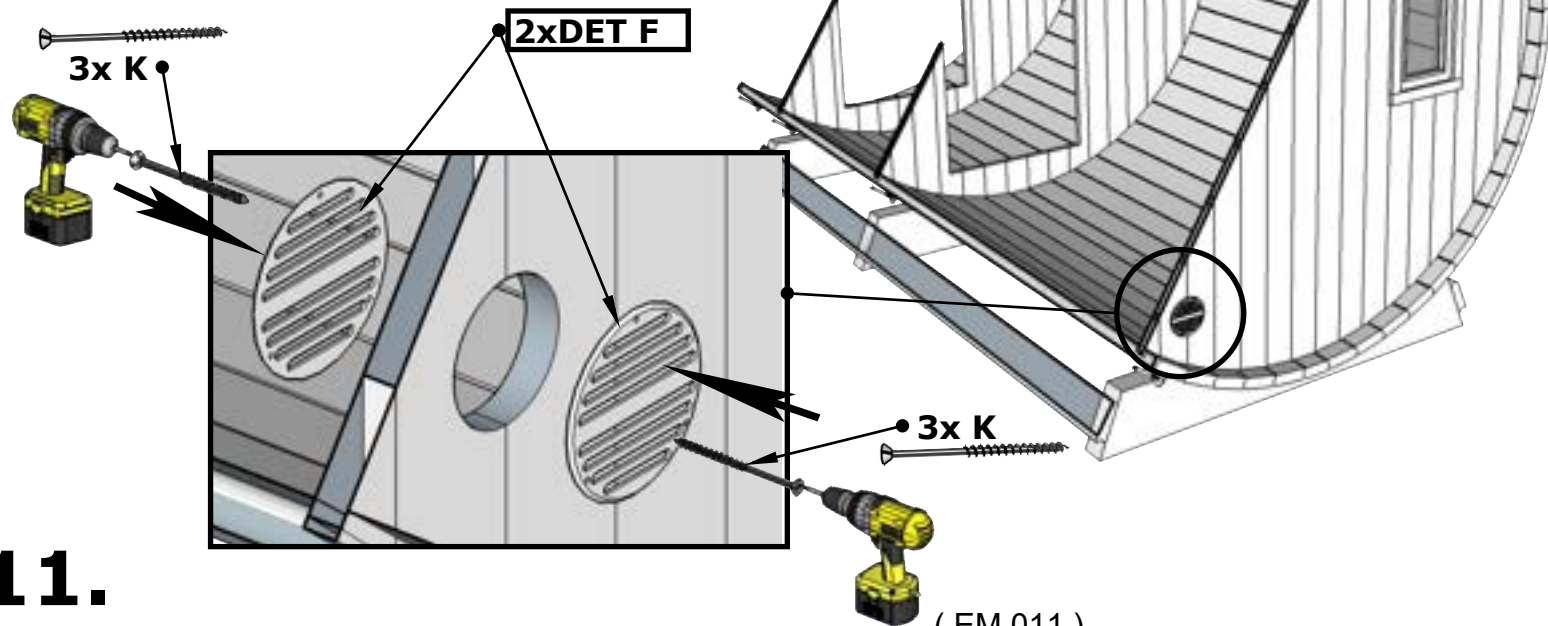
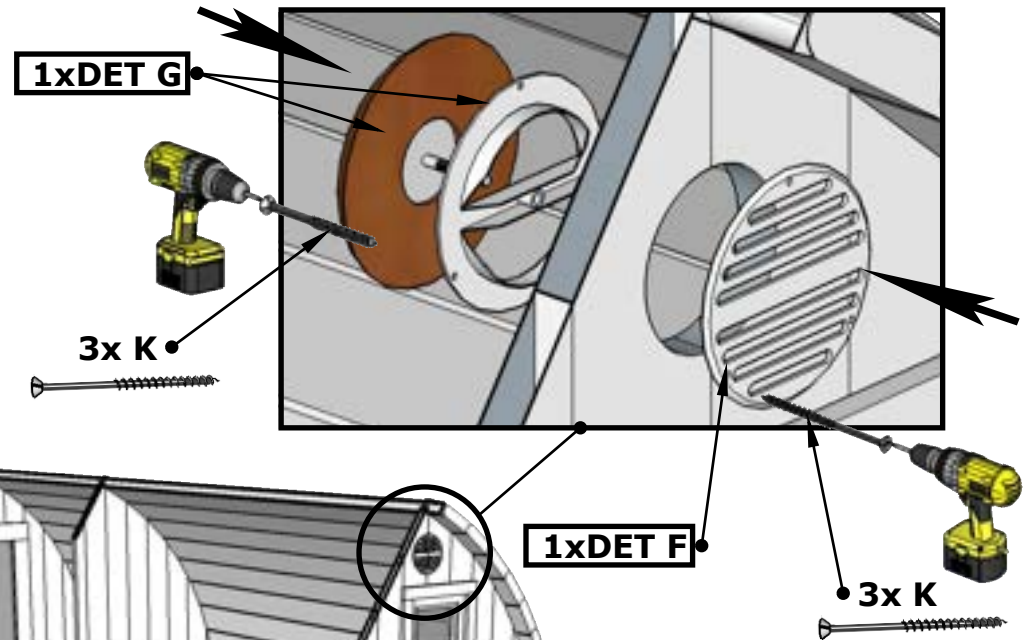
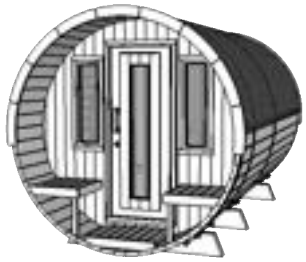
40x J



8xDET 7a  
8xDET 7b

10.

# Sauna DeLux 400, Ø235

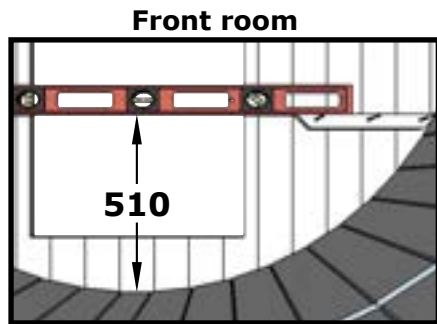
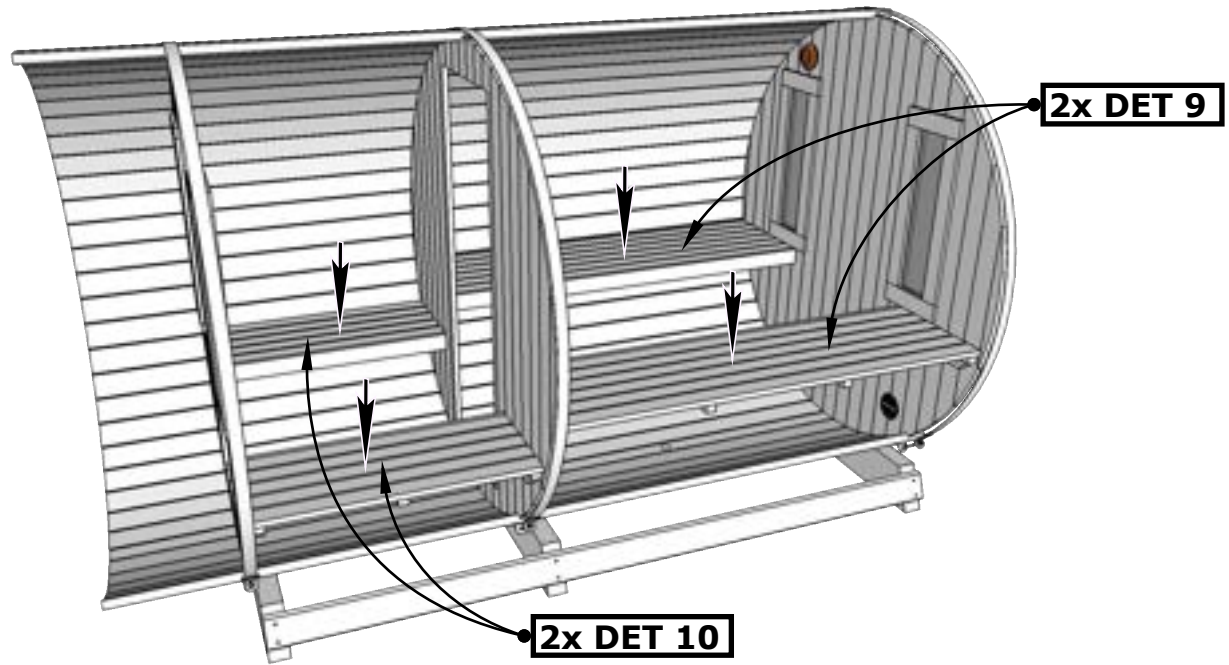
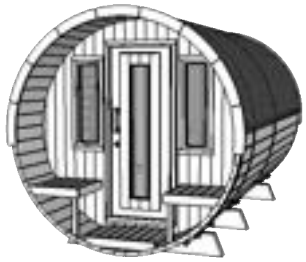


**11.**

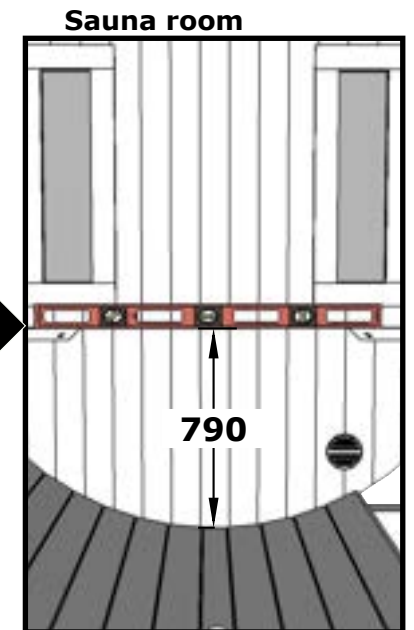
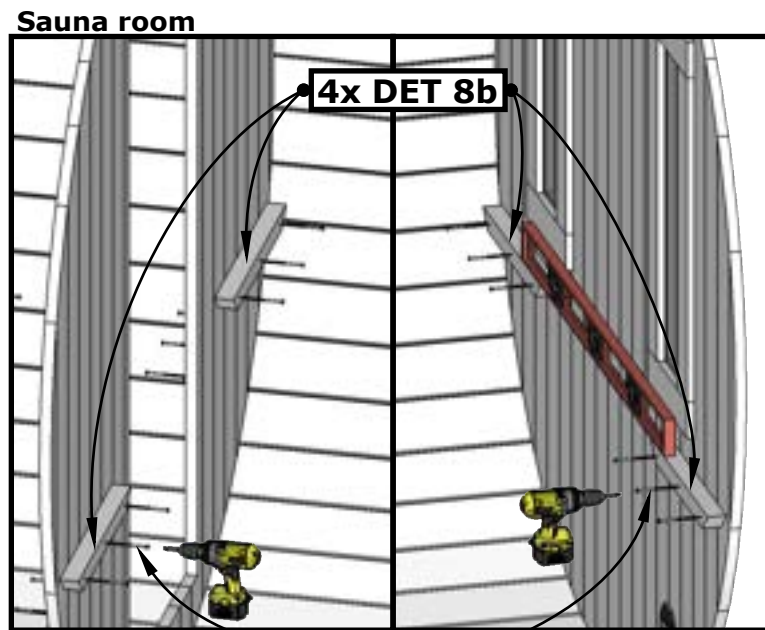
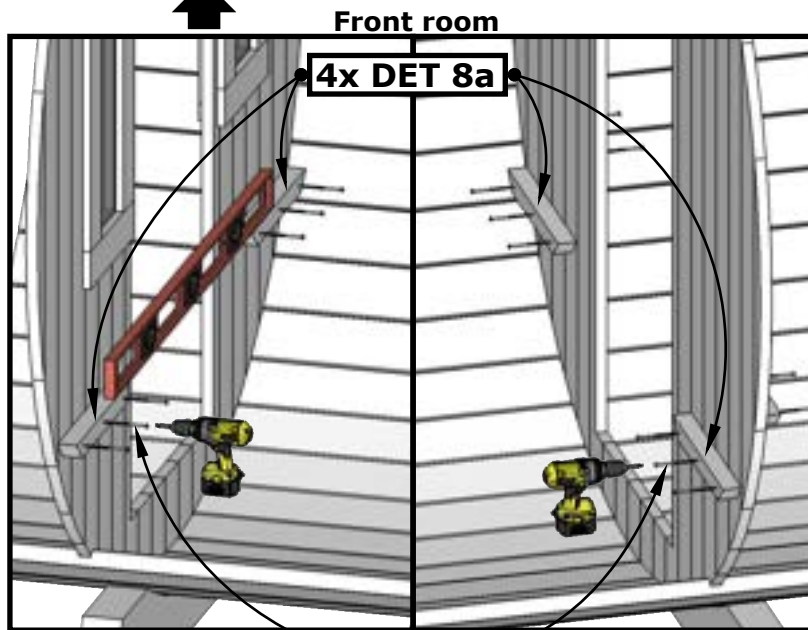
(EM 011)



# Sauna DeLux 400, Ø235



III



12.

I

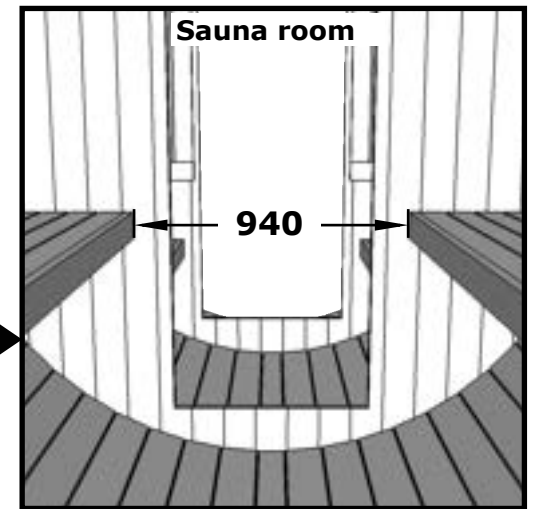
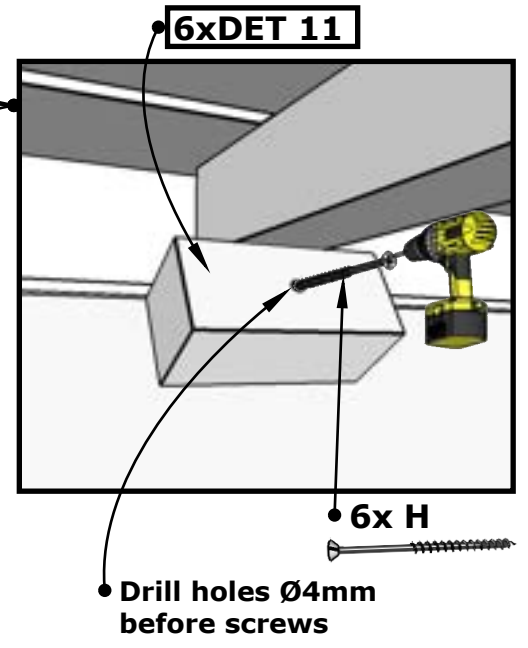
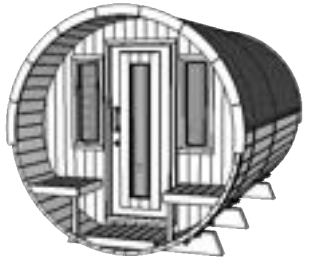


II



(EM 011)

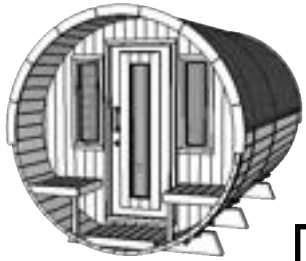
# Sauna DeLux 400, Ø235



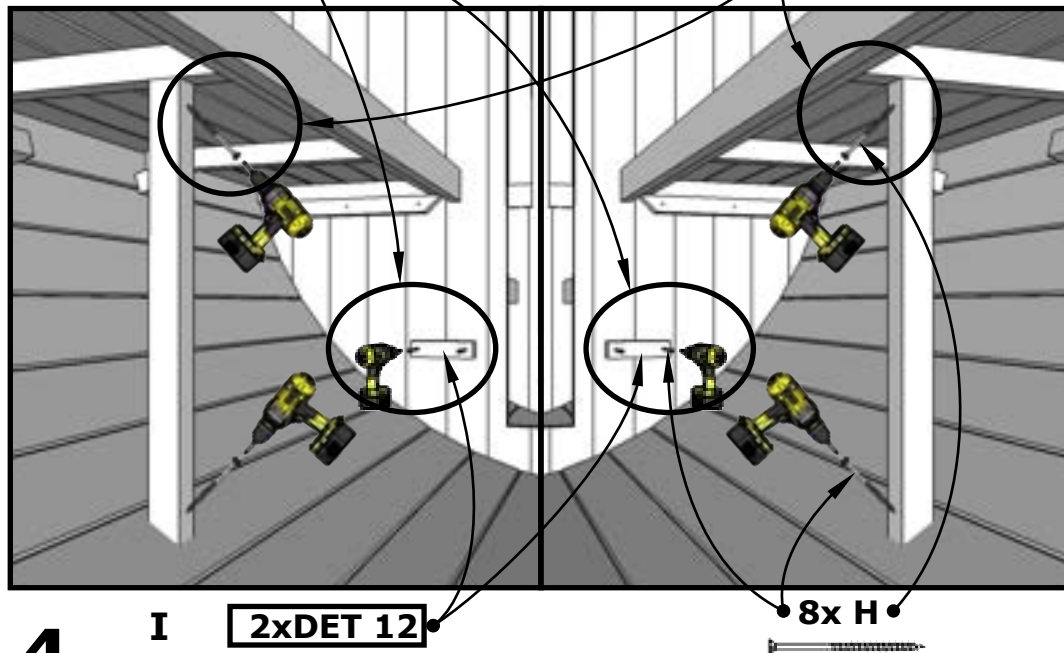
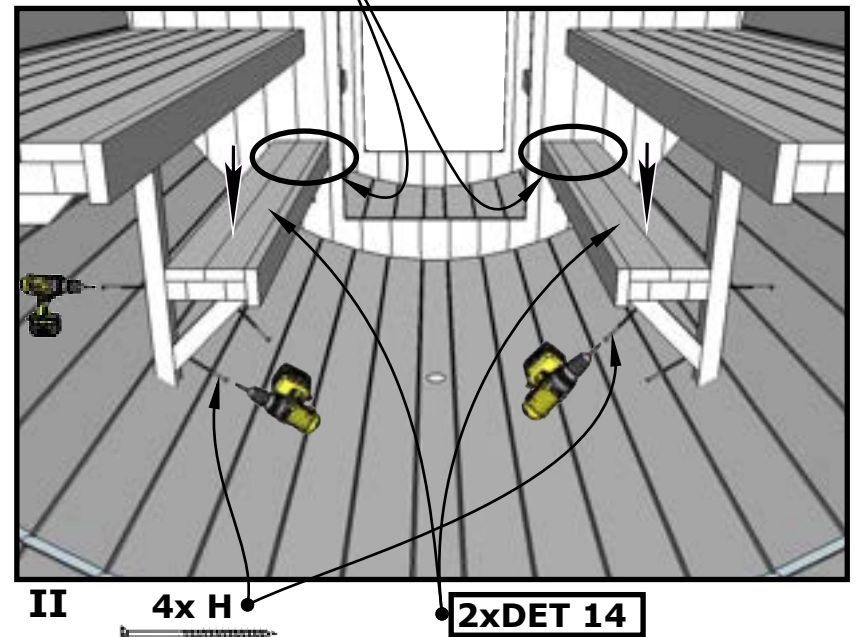
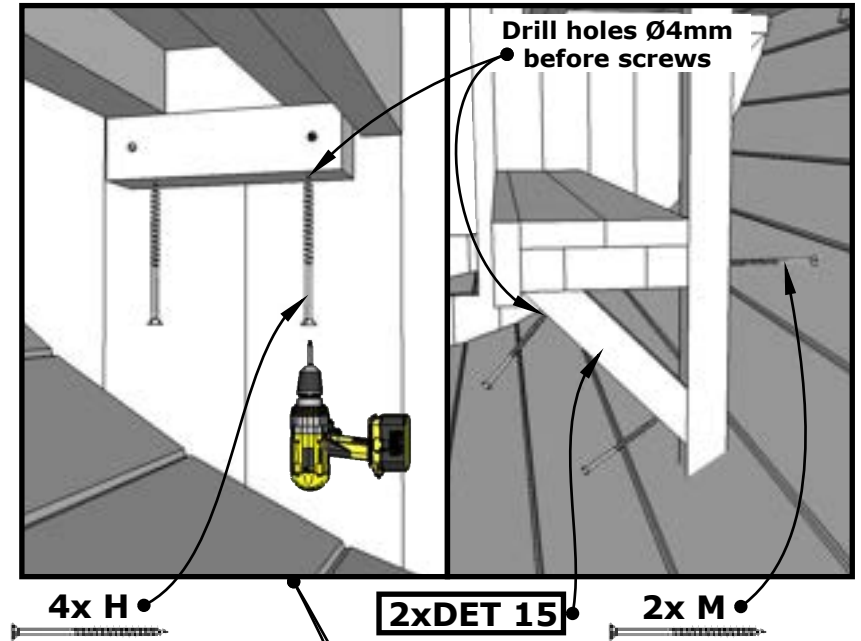
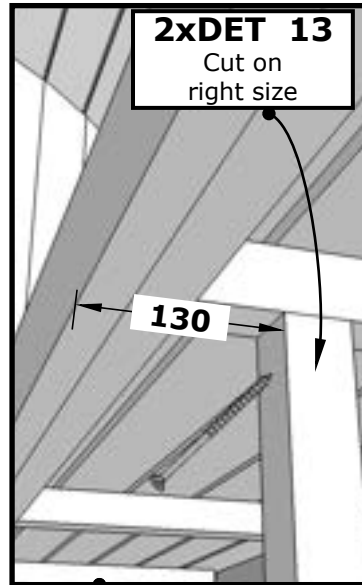
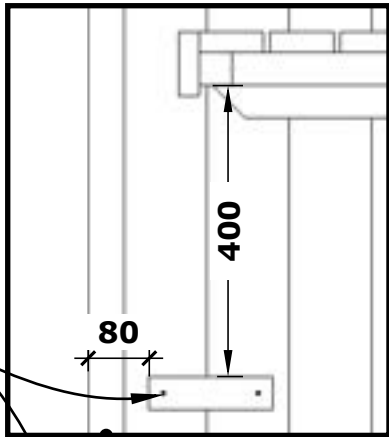
**13.**

(EM 011)

# Sauna DeLux 400, Ø235

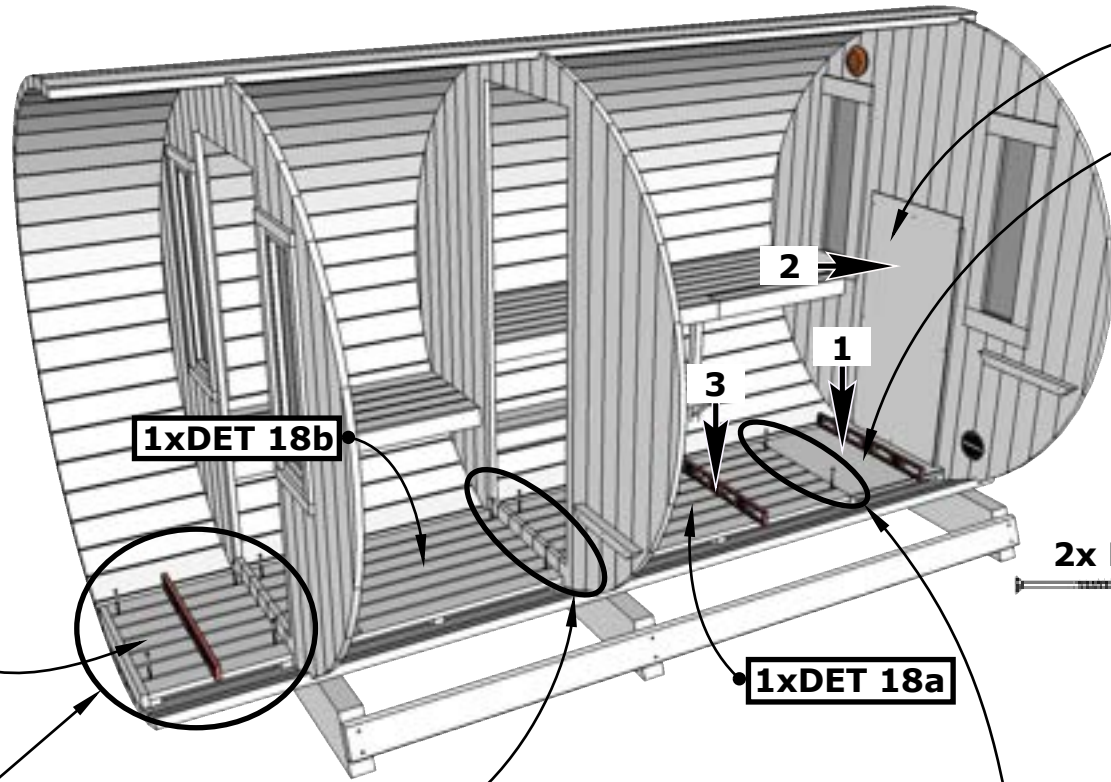
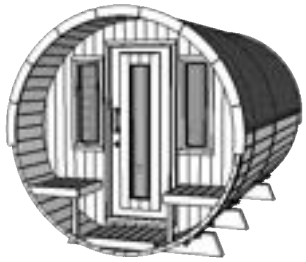


Drill holes Ø4mm before screws



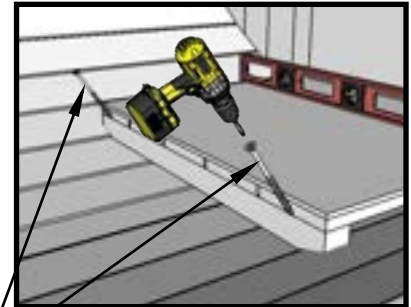
# 14.

# Sauna DeLux 400, Ø235



1xDET 17  
(Minerit LW)

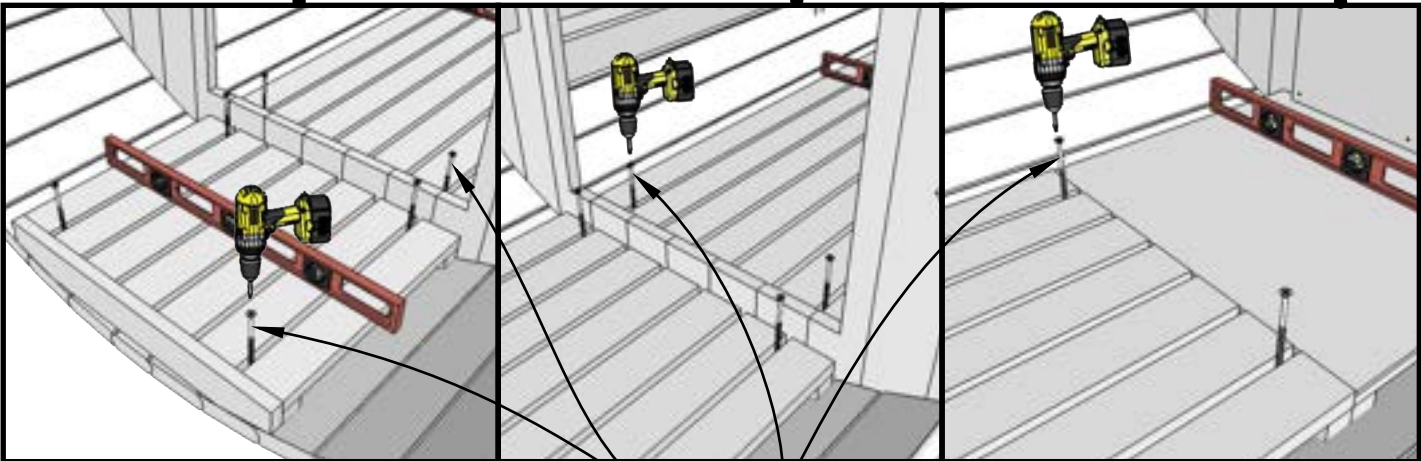
1x DET 16  
(Minerit LW)



9x I(K)

3x DET L

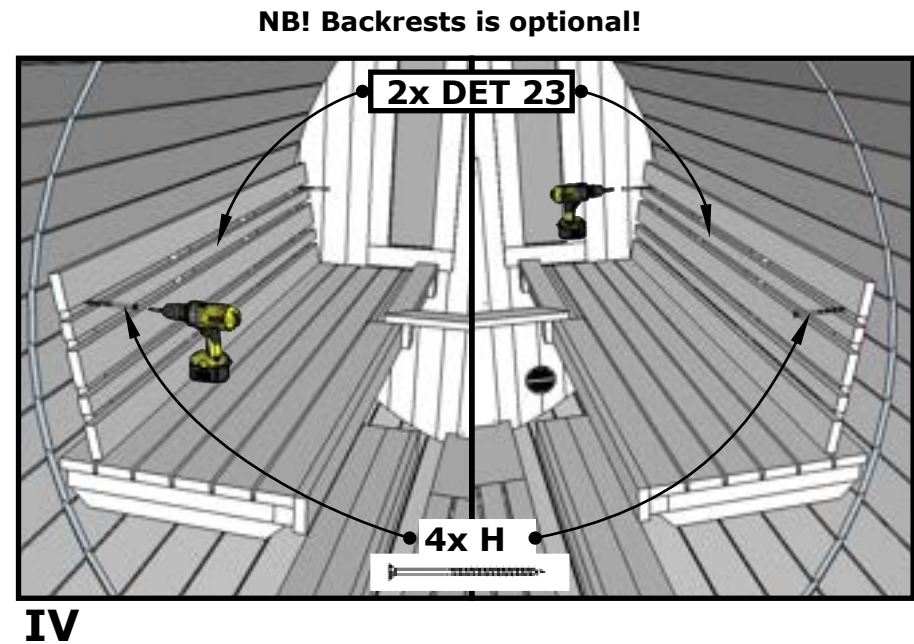
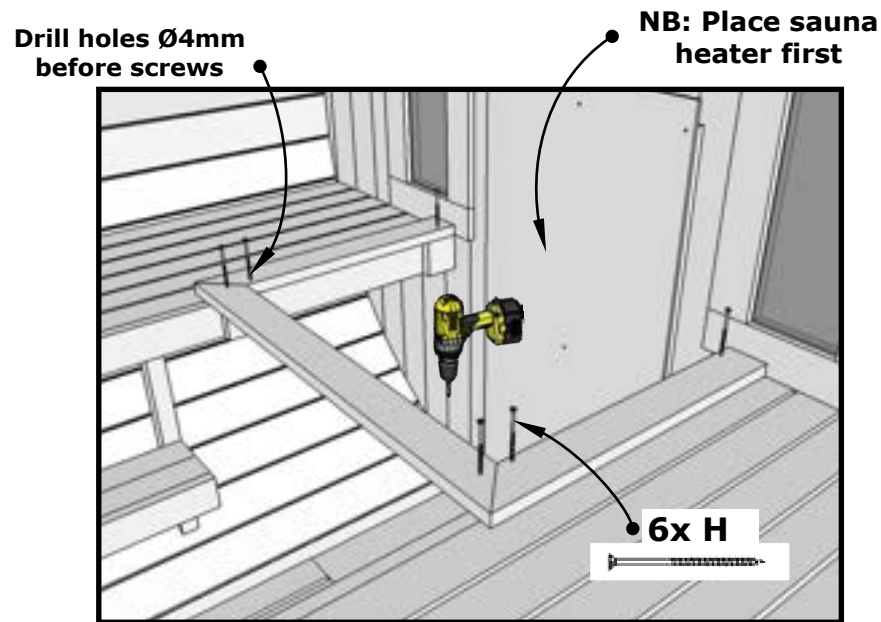
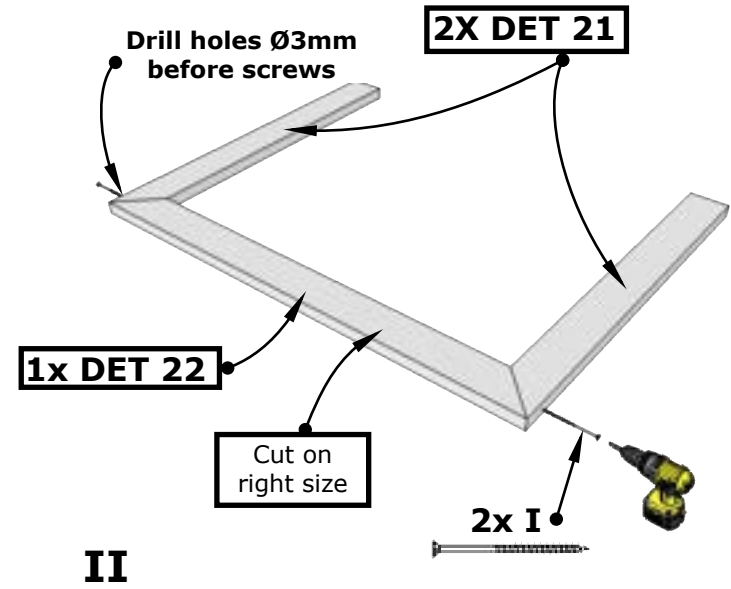
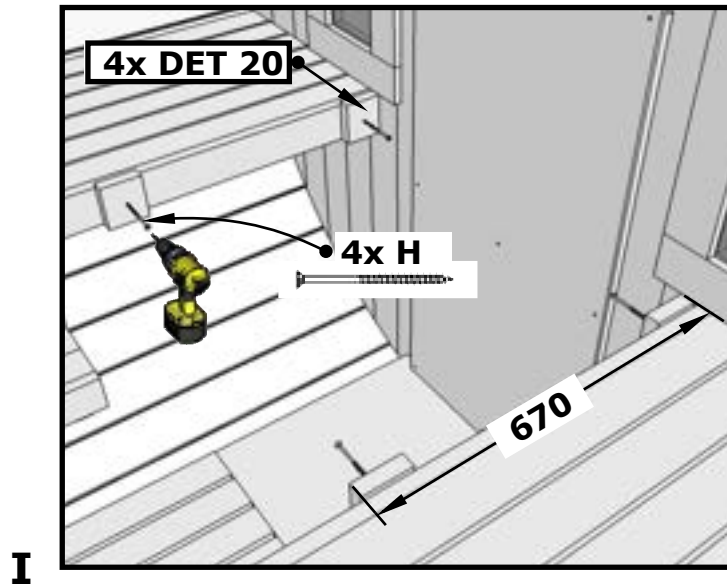
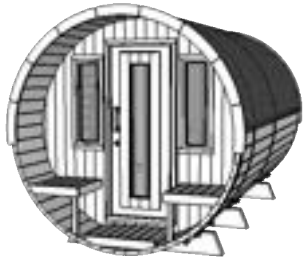
**NB!** If Your sauna equipped with electrical heater, fix DET 13 directly to the wall. Then use screws K.



12x H

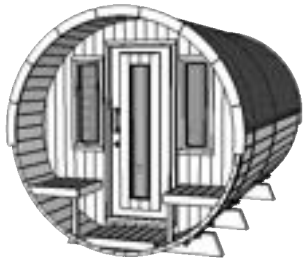
**15.**

# Sauna DeLux 400, Ø235



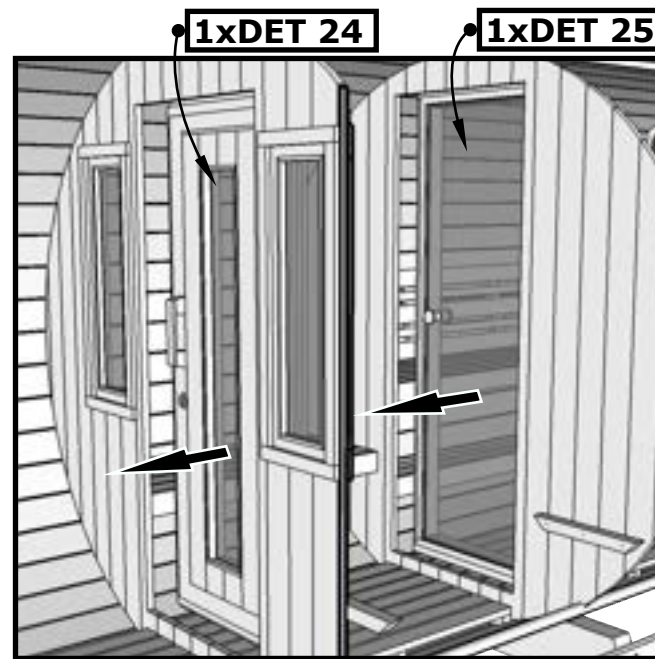
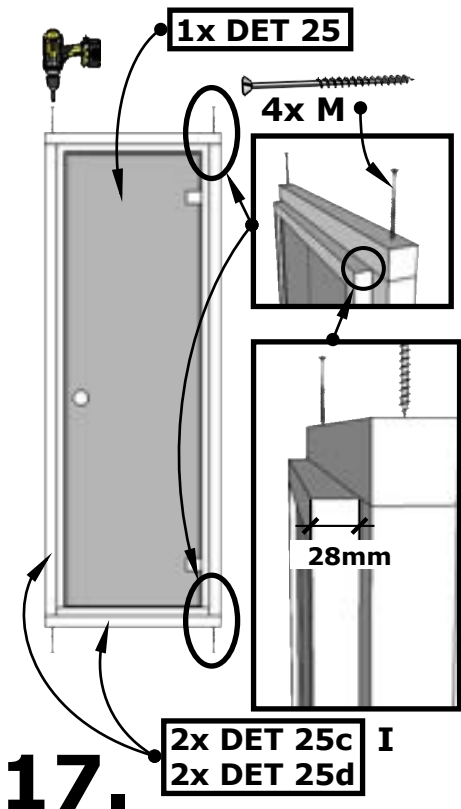
**16.**

# Sauna DeLux 400, Ø235



Use waterlevel for doors installation.

NB! Place doors from inside.

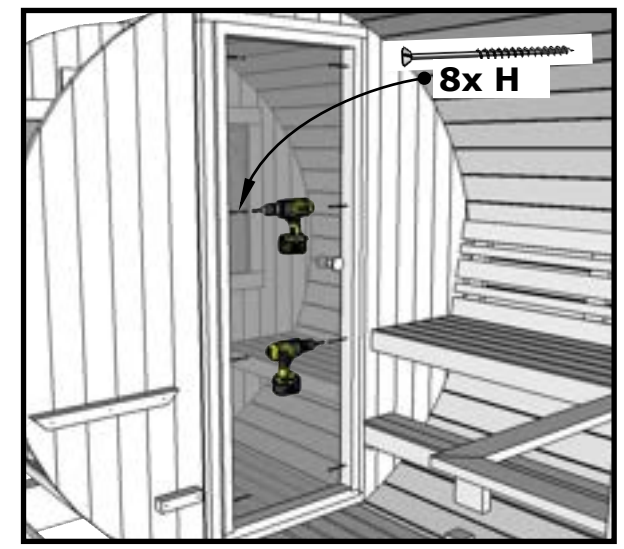


II 2x DET 24a  
2x DET 24b

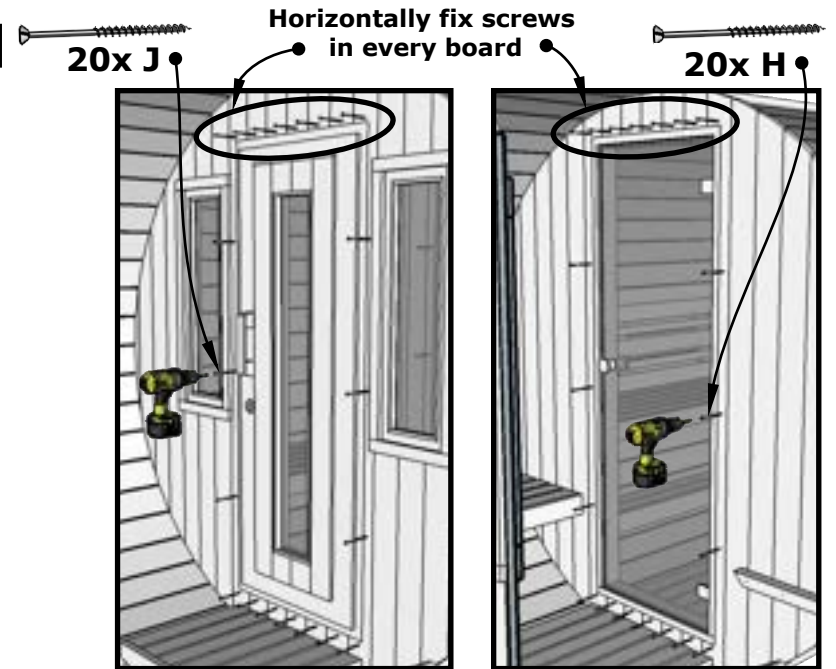
2x DET 25a  
2x DET 25b



IV

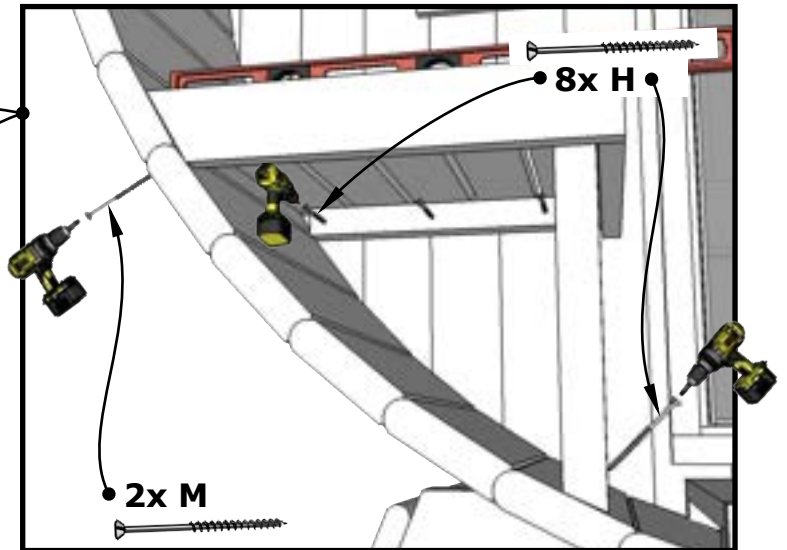
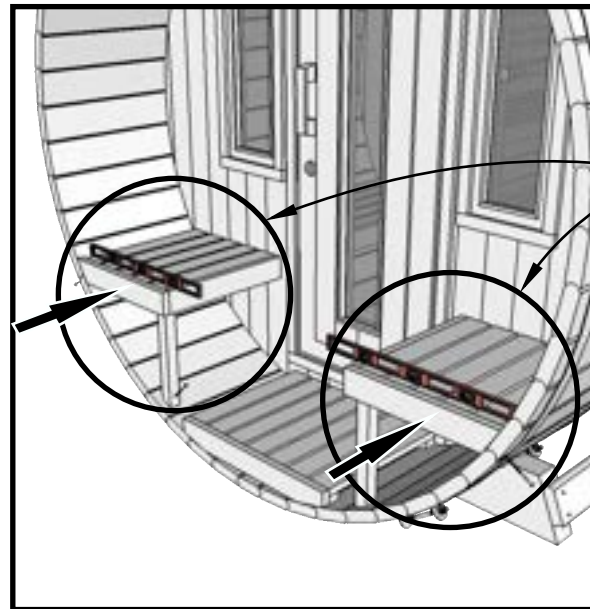
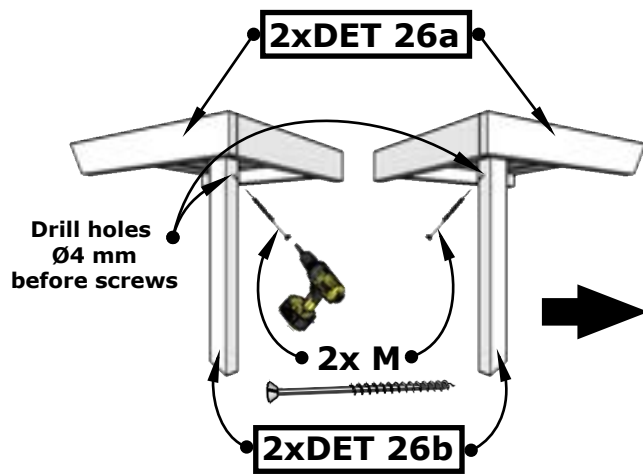
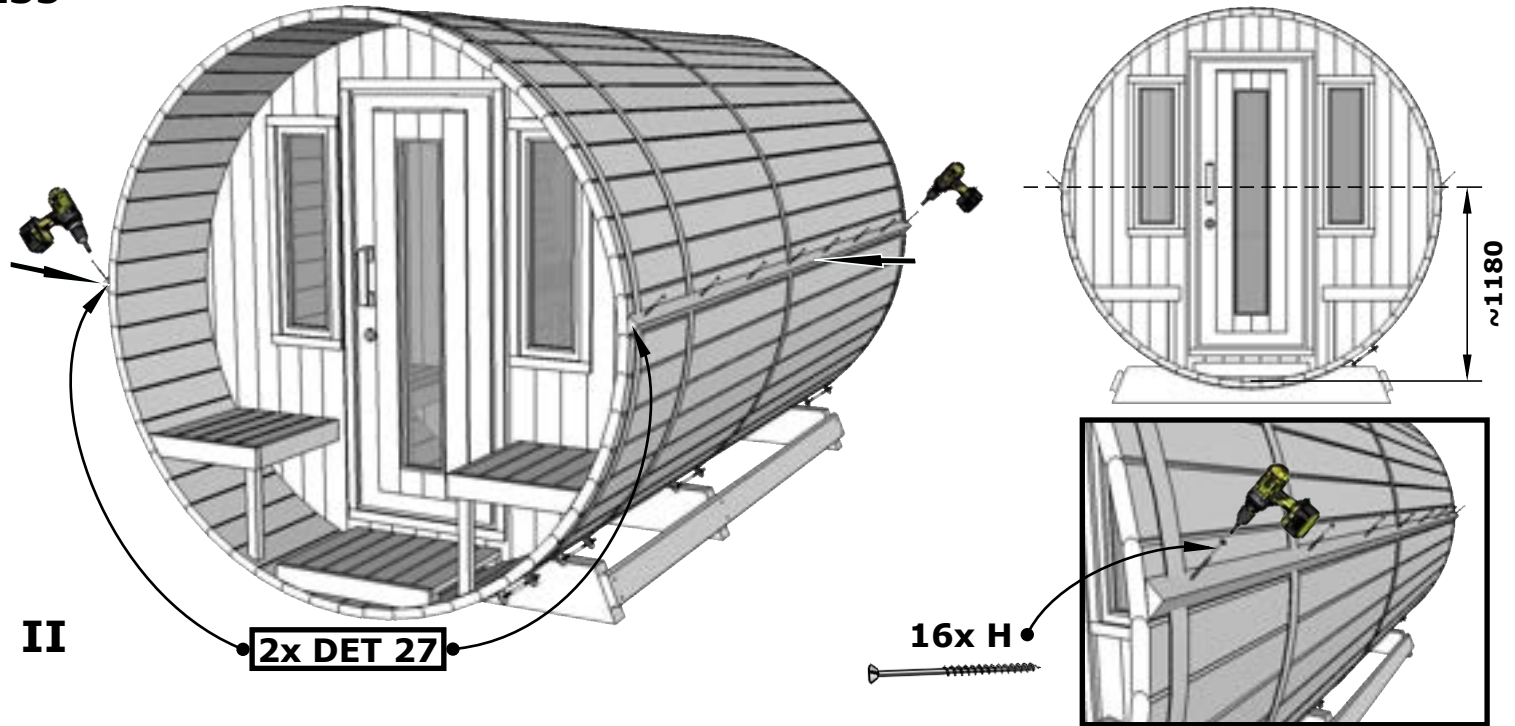
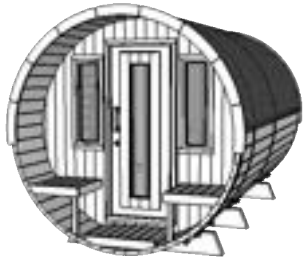


V



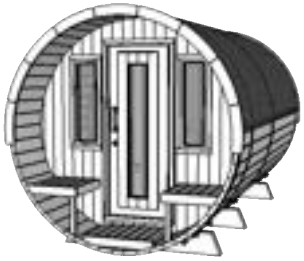
III

# Sauna DeLux 400, Ø235

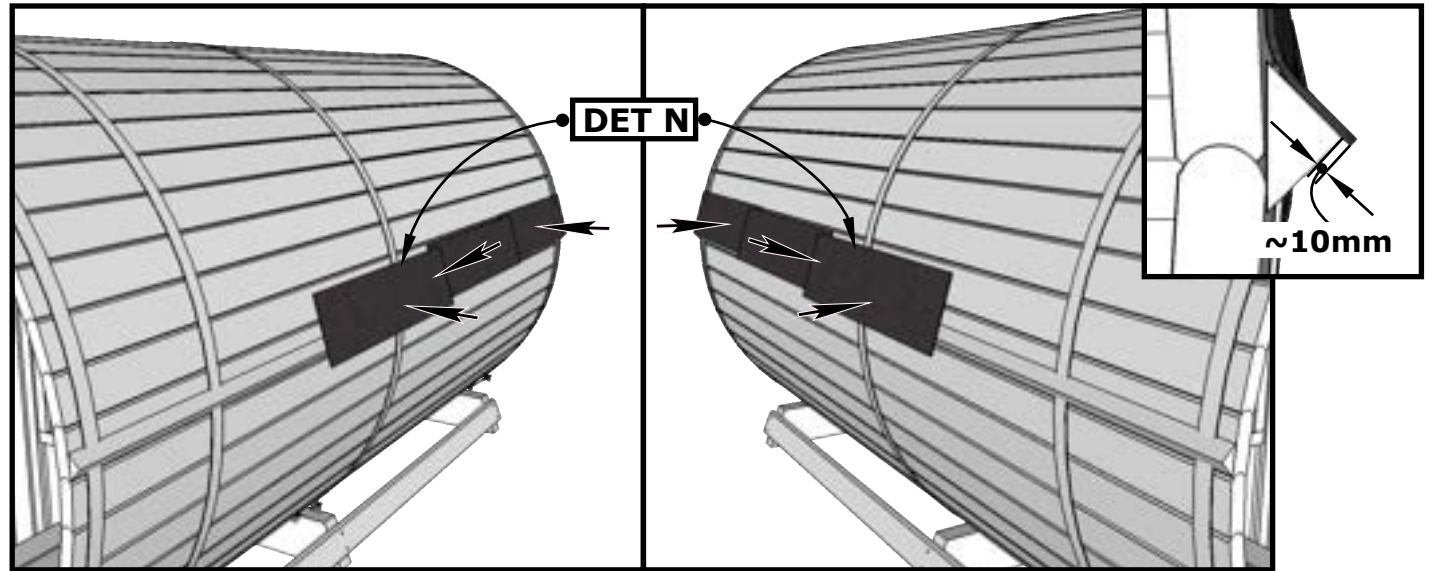


I  
**18.**

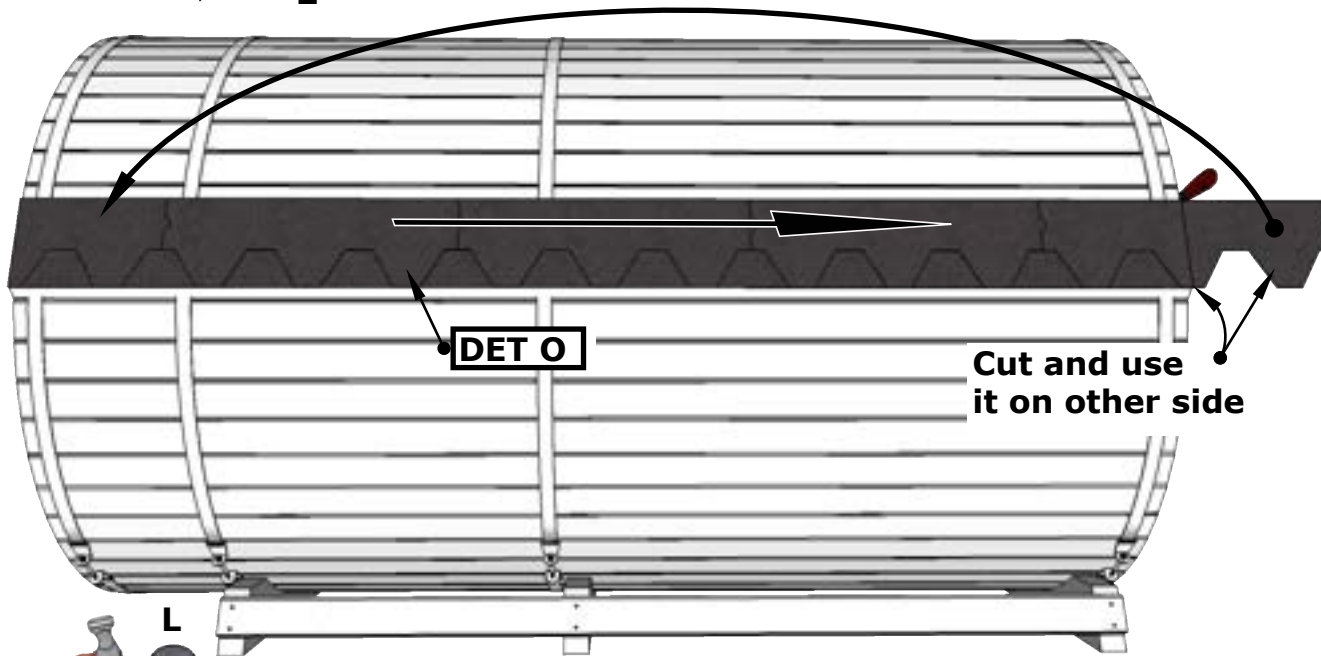
# Sauna DeLux 400, Ø235



**NB! See also shingles installation manual inside shingles package.**



**I**



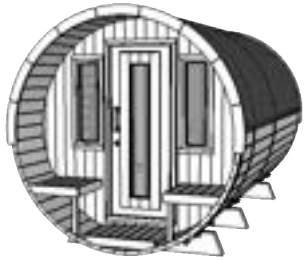
**II**



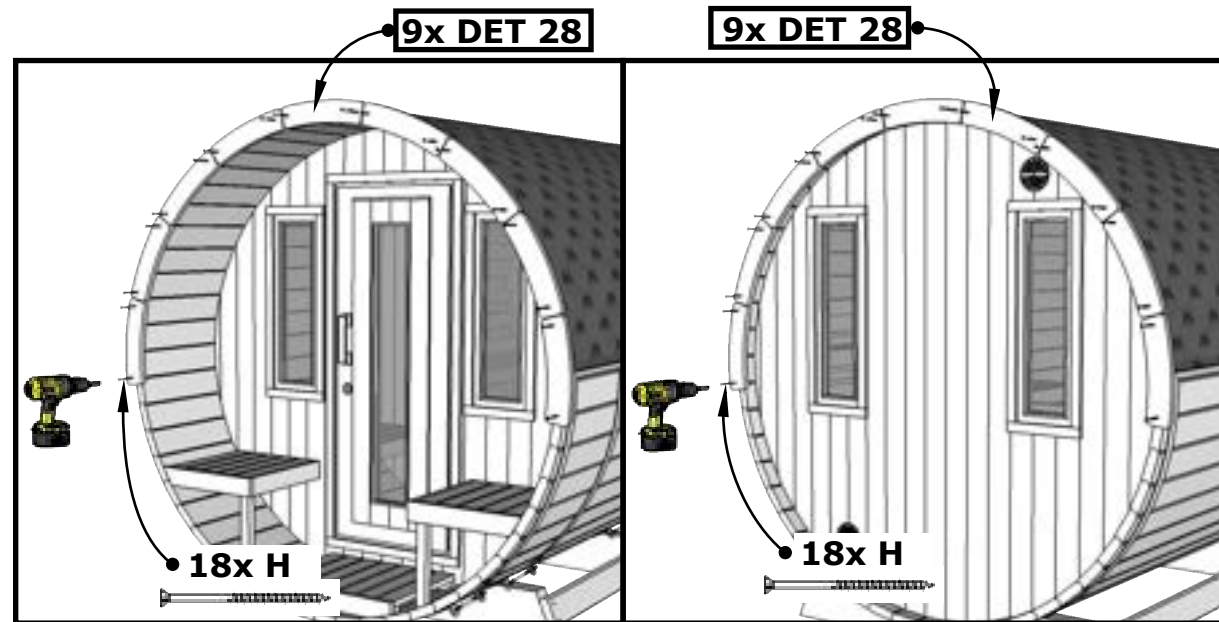
**19.**



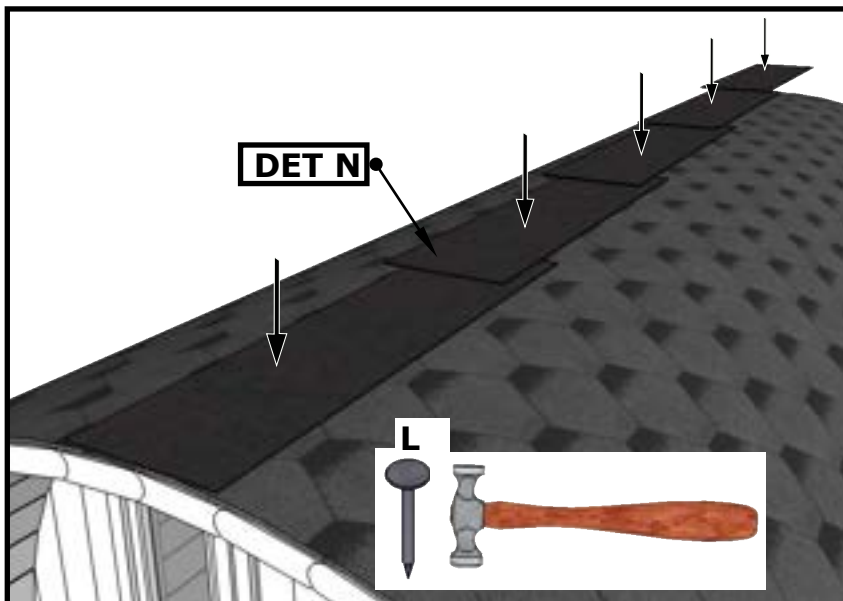
# Sauna DeLux 400, Ø235



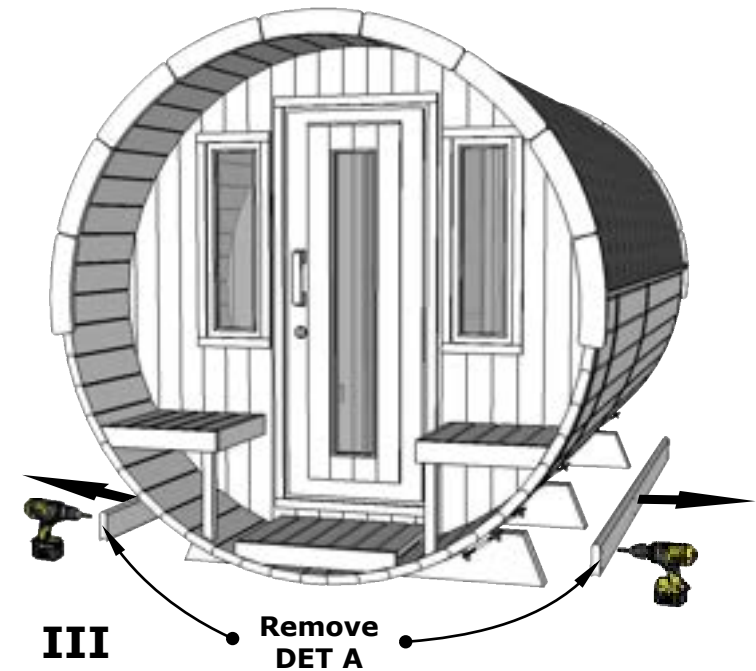
**NB! See also shingles installation manual inside shingles package.**



**II**



**I**



**III**

**Remove  
DET A**