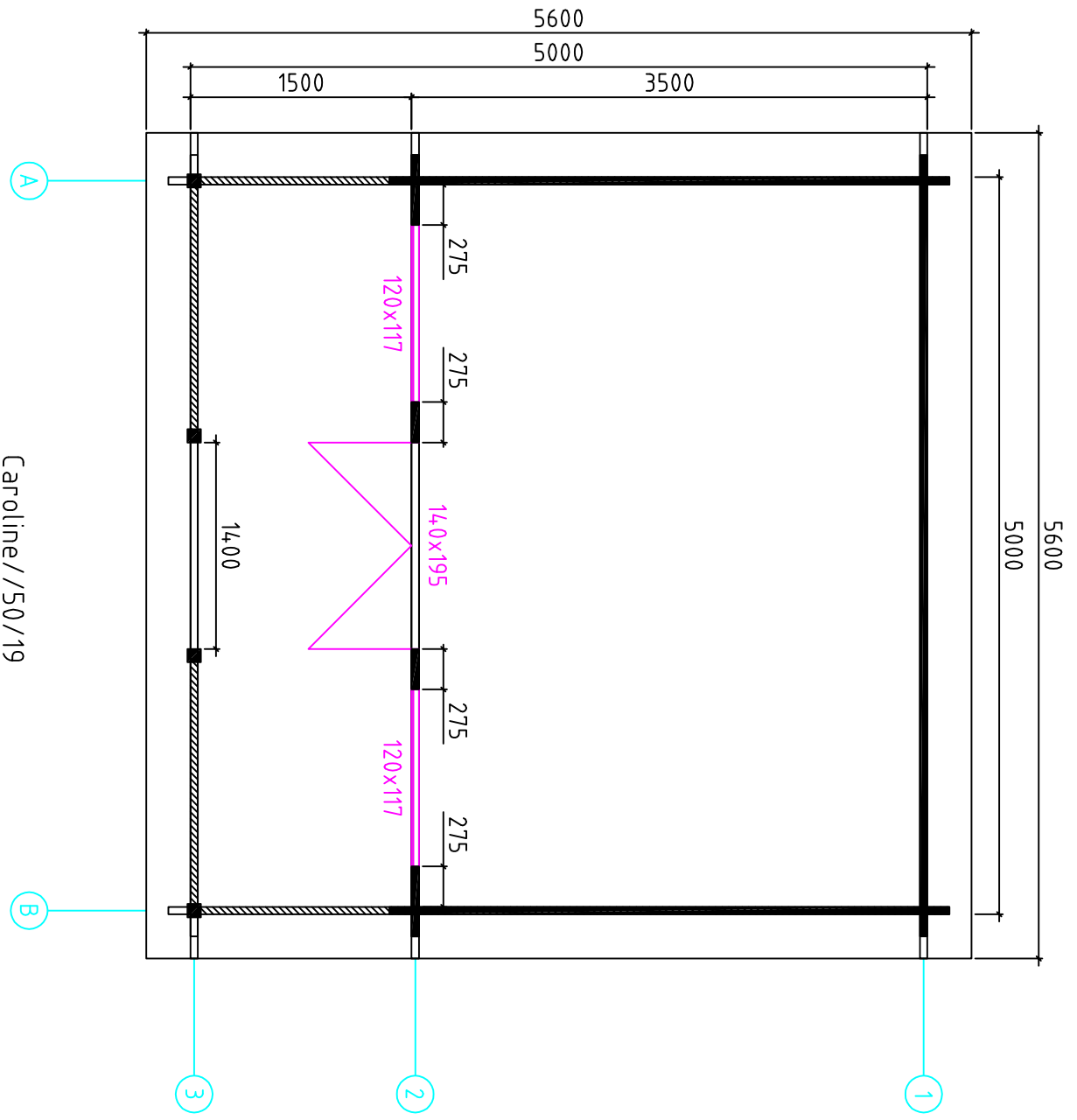
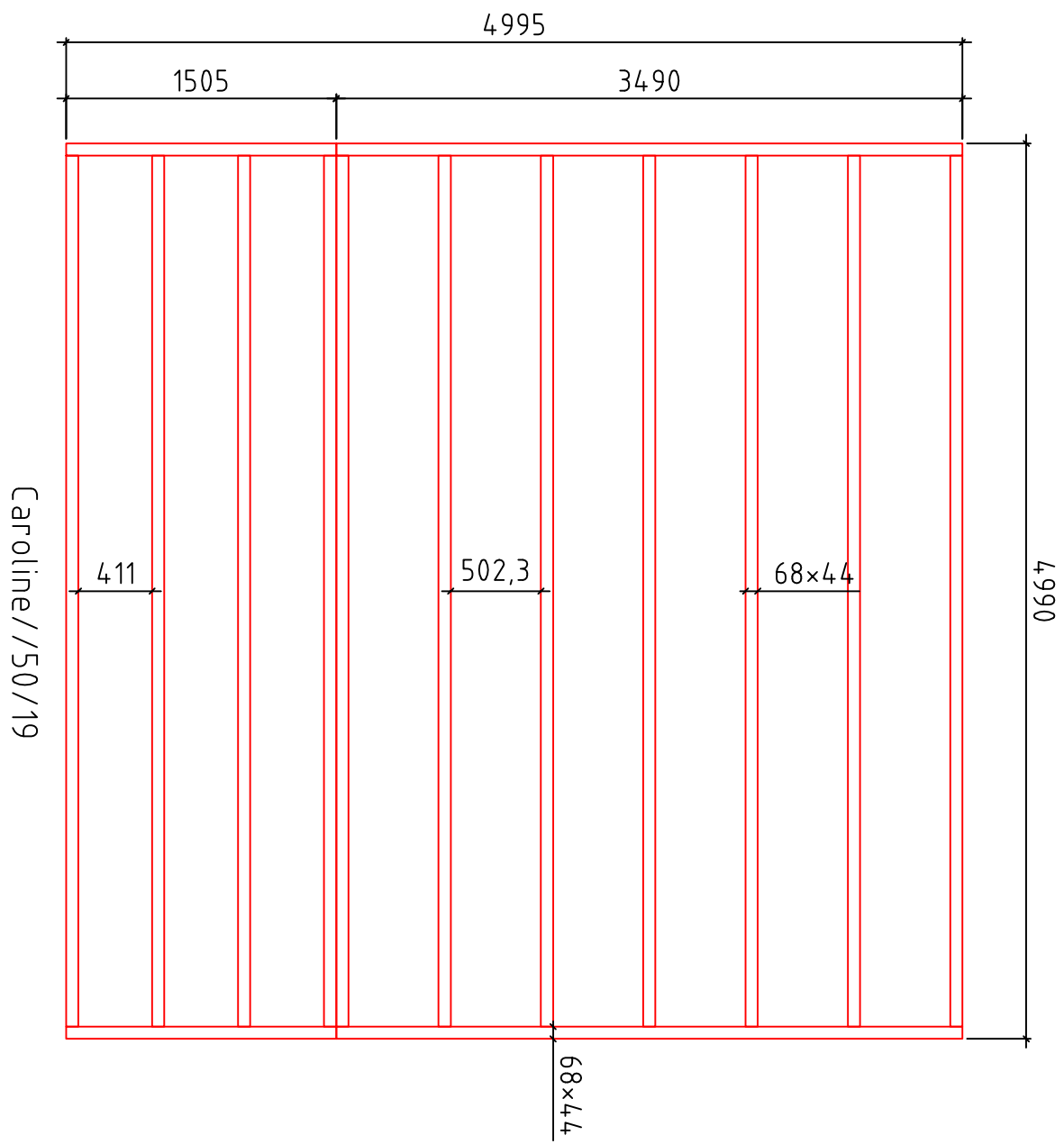


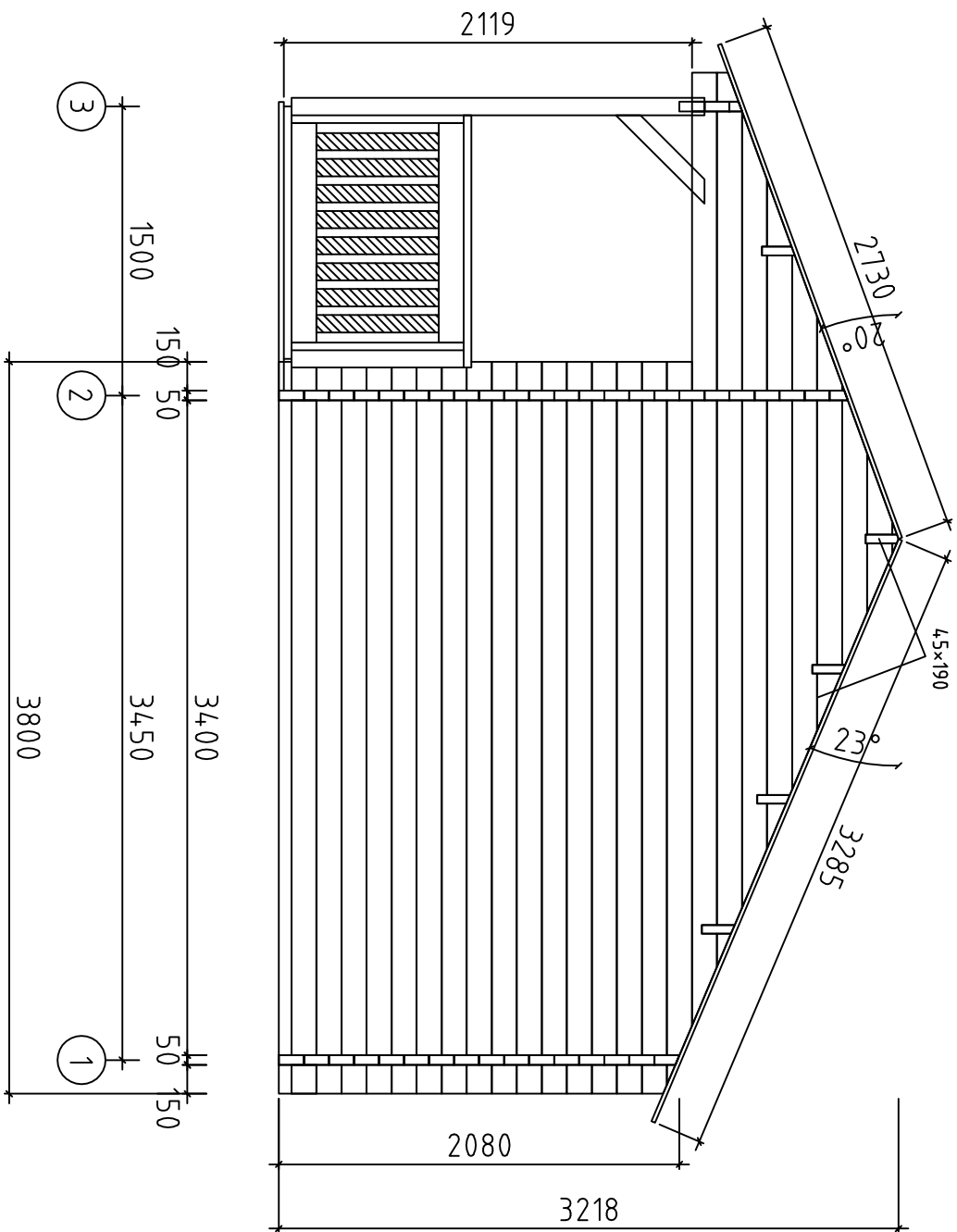
*Caroline / 150 / 19*

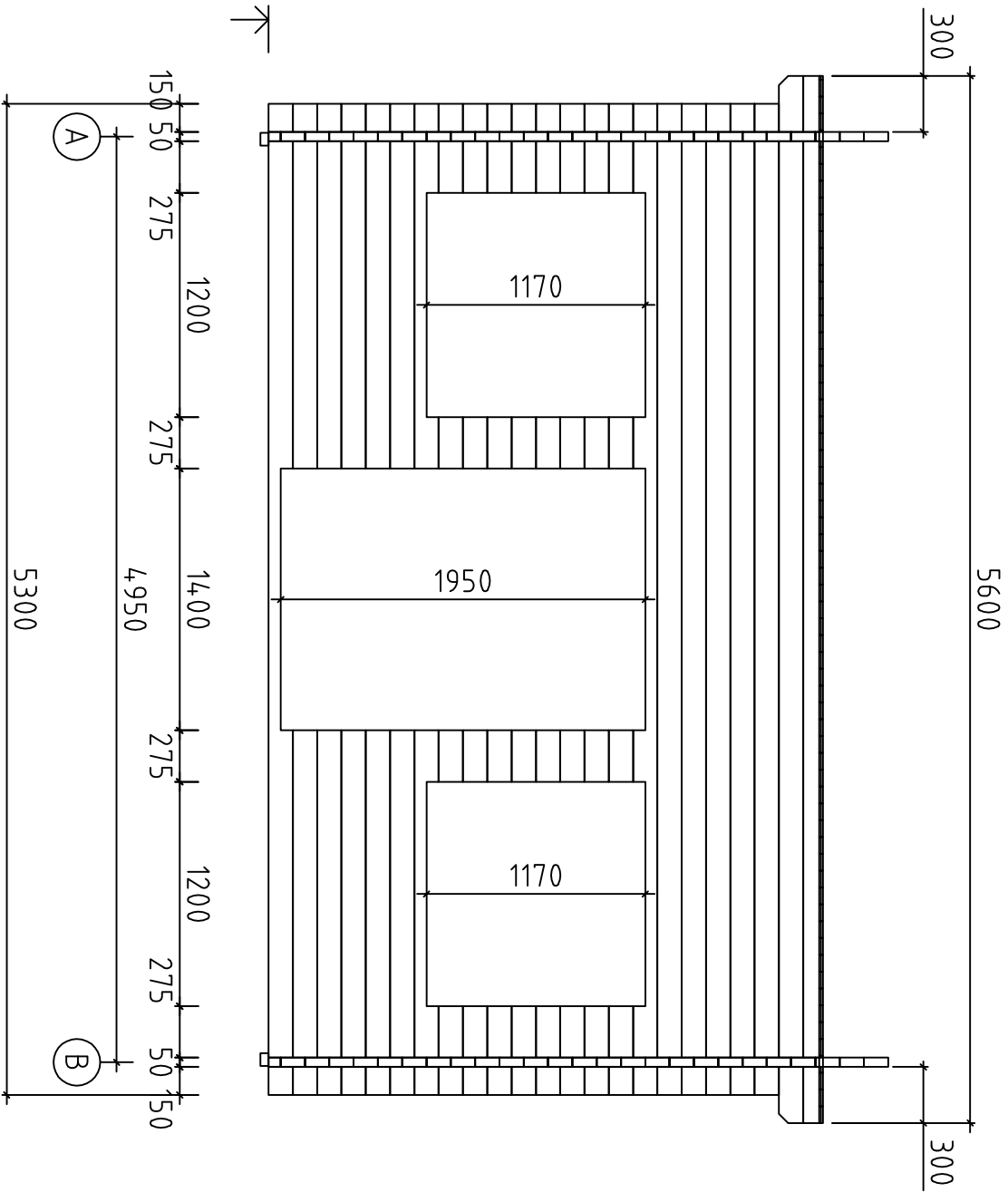


Caroline//50/19



Wand B ↗

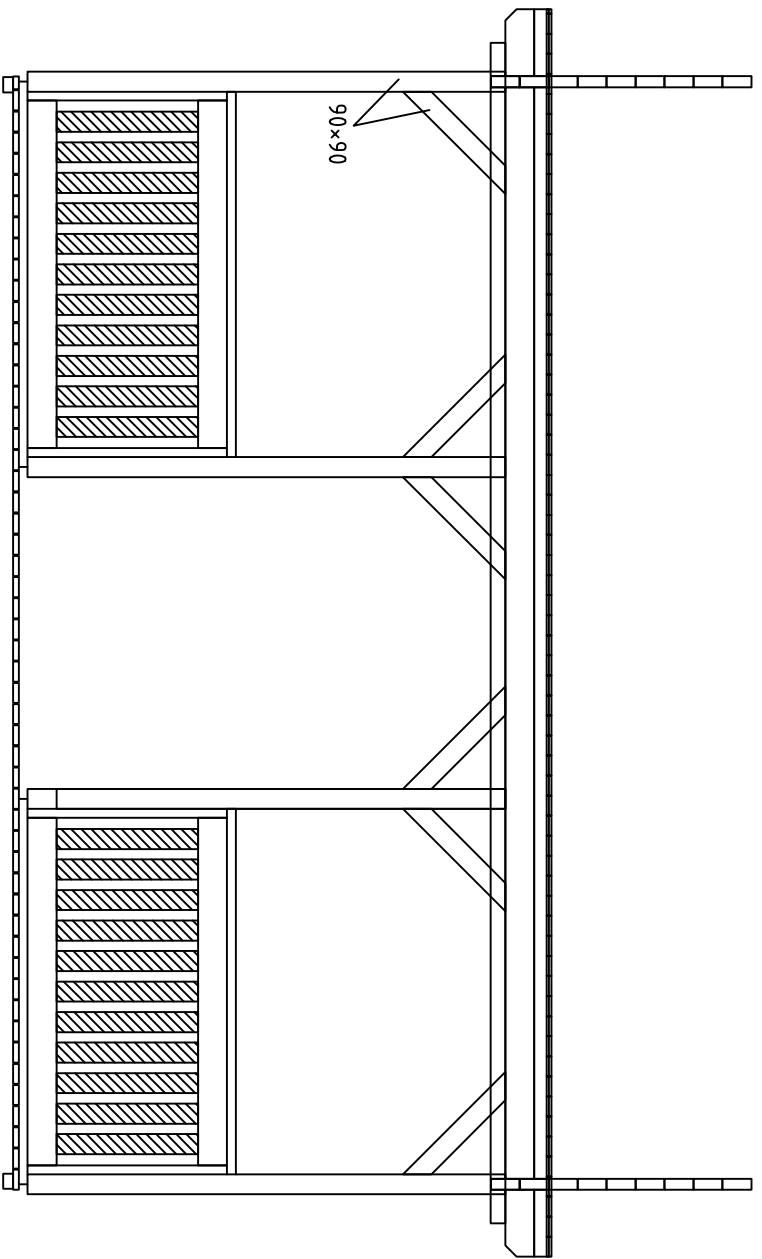




Wand 2 ↗

Caroline//50/19

Wand 3 ↗



5300

4950

(A)

(B)

Caroline//50/19